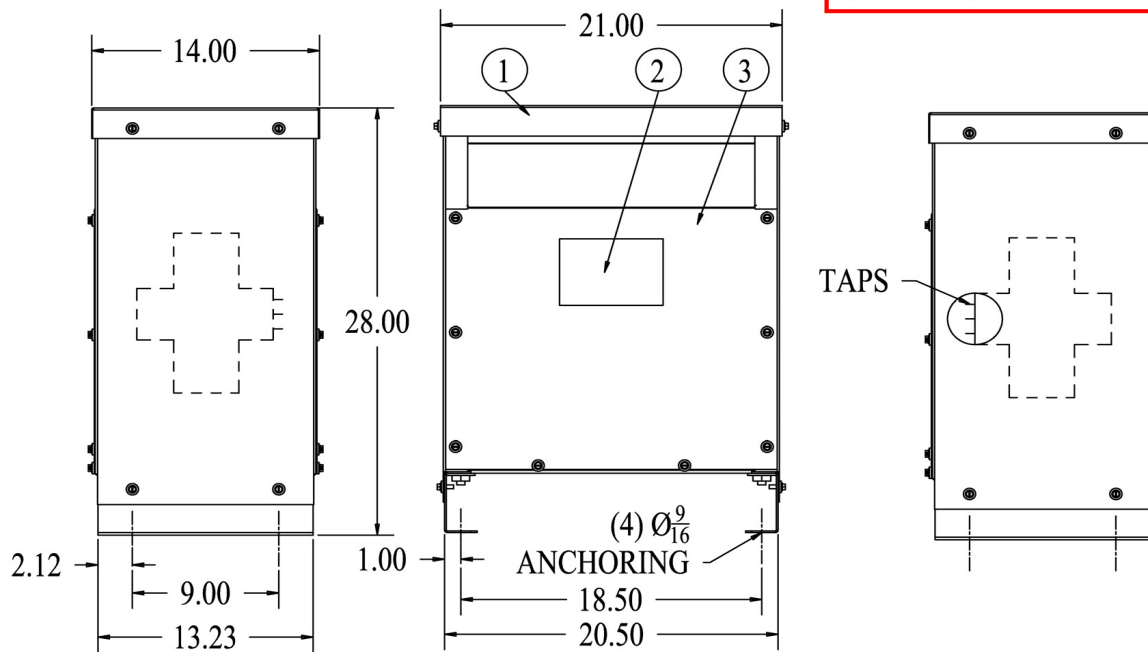


REFERENCE ONLY



Parts List		
ITEM	QTY	DESCRIPTION
1	1	TOP COVER - REMOVABLE
2	1	DIAGRAMATIC NAMEPLATE
3	2	FRONT & REAR PANEL - REMOVABLE

S.O. NO: ---
 DWG FOR: RECORD APPROVAL QUOTE

CUST/JOB NAME:
 CUST ORDER NO:
 SALES ORDER NO:
 ID TAG:

KVA:
 HIGH VOLTAGE:
 LOW VOLTAGE:
 HV TAPS:
 HV-KV BIL:
 LV-KV BIL:
 PHASE:
 FREQ-HZ:
 TEMP RISE - °C:
 COOLING CLASS:
 WINDING COND:
 PAINT/COATING:
 APPRX WT - LBS:

NEMA TP-1

- NOTES:
- 1) THIS DRAWING IS NOT FOR CONSTRUCTION PURPOSES. VERIFY WITH FACTORY BEFORE CONSTRUCTION.
 - 2) TRANSFORMERS ARE MANUFACTURED AND TESTED PER APPLICABLE ANSI, NEMA, AND IEEE STANDARDS
 - 3) UNLESS OTHERWISE SPECIFIED ALL DIMENSIONS ARE IN INCHES WITH ± ¼" TOLERANCE
 - 4) TRANSFORMER IS UL & CSA LISTED AND LABLED.
 - 5) UNIT IS DESIGNED FOR INDOOR (NEMA1) AND OUTDOOR (NEMA3R) APPLICATION.



MGM TRANSFORMER CO.

CITY OF COMMERCE, CALIFORNIA
 TEL: 323.726.0888 FAX: 323.726.8192

GENERAL PURPOSE DRY TYPE TRANSFORMER
 OUTLINE, CASE A (CASE 1)