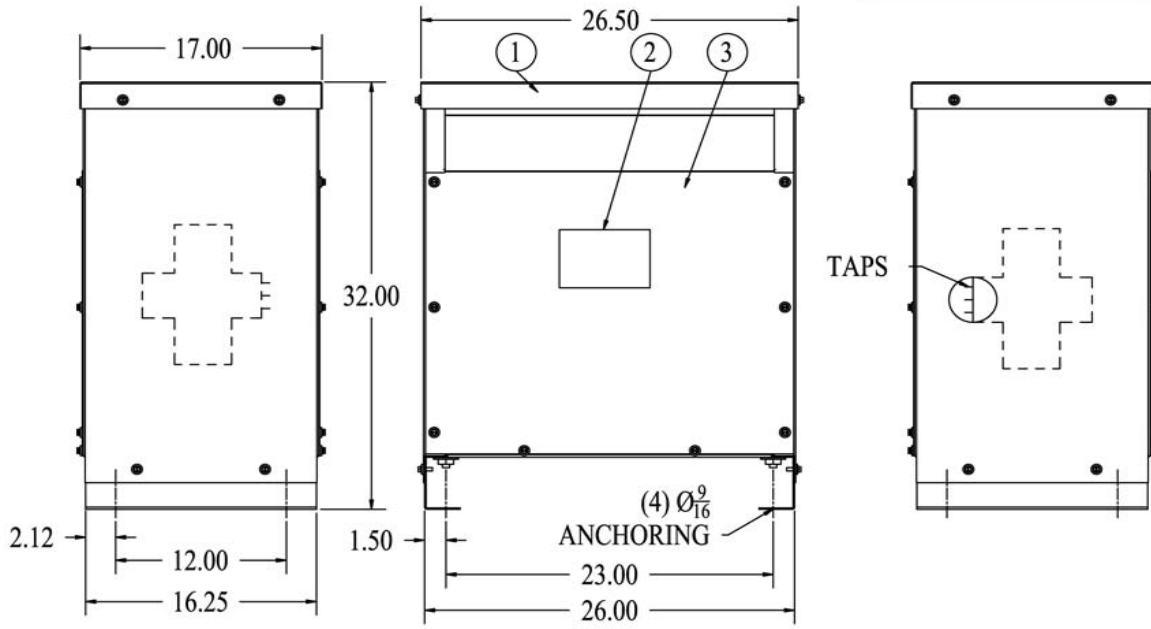


REFERENCE ONLY



Parts List		
ITEM	QTY	DESCRIPTION
1	1	TOP COVER - REMOVABLE
2	1	DIAGRAMATIC NAMEPLATE
3	2	FRONT & REAR PANEL - REMOVABLE

S.O. NO: ---  
 DWG FOR:  RECORD  APPROVAL  QUOTE

CUST/JOB NAME:  
 CUST ORDER NO:  
 SALES ORDER NO:  
 ID TAG:

KVA:  
 HIGH VOLTAGE:  
 LOW VOLTAGE:  
 HV TAPS:  
 HV-KV BIL:  
 LV-KV BIL:  
 PHASE:  
 FREQ-HZ:  
 TEMP RISE - °C:  
 COOLING CLASS:  
 WINDING COND:  
 PAINT/COATING:  
 APPRX WT - LBS:

NEMA TP-1

- NOTES:
- 1) THIS DRAWING IS NOT FOR CONSTRUCTION PURPOSES. VERIFY WITH FACTORY BEFORE CONSTRUCTION.
  - 2) TRANSFORMERS ARE MANUFACTURED AND TESTED PER APPLICABLE ANSI, NEMA, AND IEEE STANDARDS
  - 3) UNLESS OTHERWISE SPECIFIED ALL DIMENSIONS ARE IN INCHES WITH ± ¼" TOLERANCE.
  - 4) TRANSFORMER IS UL & CSA LISTED AND LABLED.
  - 5) UNIT IS DESIGNED FOR INDOOR (NEMA1) AND OUTDOOR (NEMA3R) APPLICATION.



**MGM TRANSFORMER CO.**

CITY OF COMMERCE, CALIFORNIA  
 TEL: 323.726.0888 FAX: 323.726.8192

**GENERAL PURPOSE DRY TYPE TRANSFORMER  
 OUTLINE, CASE B (CASE 2)**