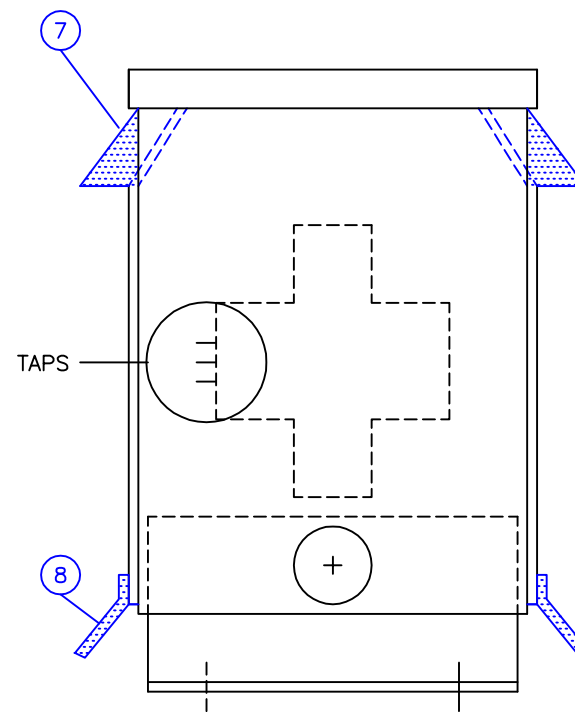
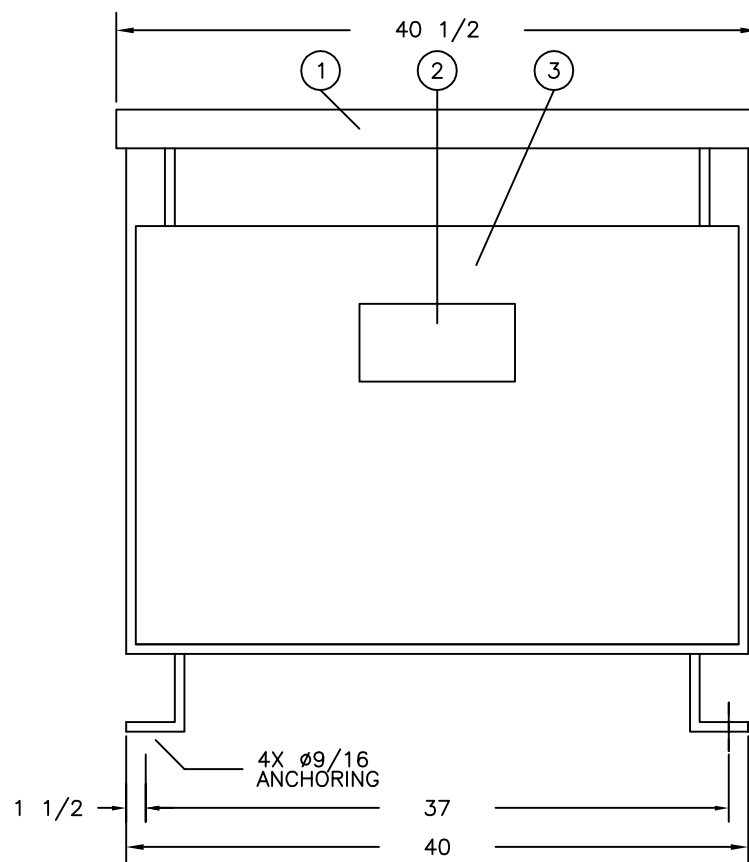
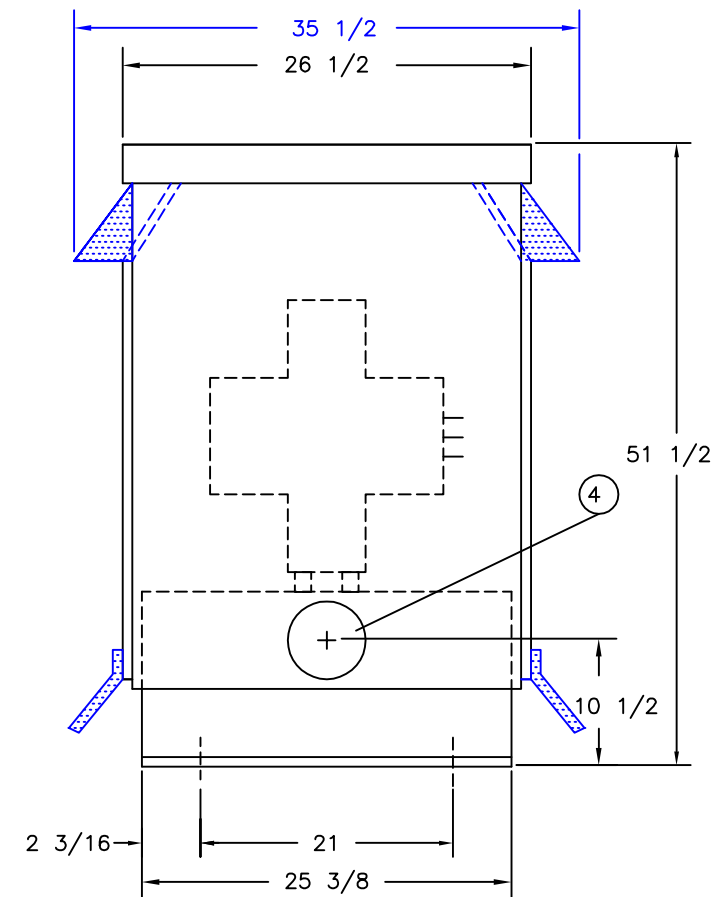


REFERENCE ONLY



PARTS LIST		
ITEM	QTY	DESCRIPTION
1	1	TOP COVER - REMOVABLE
2	1	DIAGRAMATIC NAMEPLATE
3	2	FRONT & REAR PANEL - REMOVABLE
4	2	PROVISION FOR 5" KNOCKOUT
7	2	WEATHERSHIELD, OUTDOOR UNITS ONLY
8	2	RAIN DEFLECTOR, OUTDOOR UNITS ONLY

TRANSFORMER'S PROPERTIES						
KVA RATING	TEMP RISE	APPRX WT (LBS)		TAPS @ PRI. VOLTS		
		ALUM	COPPER	480	240	208
150	-	-	-	-	-	-
	80°C	1090	1240	2A4B 2.5%	2A4B 2.5%	2A4B 2.5%
225	150°C	1280	1440	2A4B 2.5%	2A4B 2.5%	1A2B 5%
	115°C	1380	1520	2A4B 2.5%	2A4B 2.5%	1A2B 5%
300	80°C	1430	1640	2A4B 2.5%	1A2B 5%	1A2B 5%
	150°C	1520	1730	2A4B 2.5%	1A2B 5%	1A2B 5%
	-	-	-	-	-	-

S.O. NO: ---

DWG FOR: RECORD APPROVAL QUOTE

CUST/JOB NAME: _____

CUST ORDER NO: _____

SERIAL NO: _____

ID TAG: _____

KVA: _____

HIGH VOLTAGE: _____

LOW VOLTAGE: _____

HV TAPS: SEE TABLE

HV-KV BIL: 10

LV-KV BIL: 10

PHASE: 3

FREQ-HZ: 60

TEMP RISE-°C: _____

COOLING CLASS: AA

COOLING FLUID: _____

WINDING COND: _____

PAINT/COATING: ANSI 61 GRAY

APPRX WT-LBS: SEE TABLE

HV COORD: -

LV COORD: -

- NOTES:
- 1) THIS DRAWING IS NOT FOR CONSTRUCTION PURPOSES. VERIFY WITH FACTORY BEFORE CONSTRUCTION.
 - 2) K FACTOR MIGHT CHANGE CASE DIMENSIONS, CHECK WITH FACTORY BEFORE CONSTRUCTION.
 - 3) TRANSFORMERS ARE MANUFACTURED AND TESTED PER APPLICABLE ANSI, NEMA AND IEEE STDS, LATEST REVISION.
 - 4) UNLESS OTHERWISE SPECIFIED, ALL DIMENSIONS ARE IN INCHES WITH ±1/4" TOLERANCE.
 - 5) TRANSFORMER IS U.L. LISTED.
 - 6) WEIGHTS, DIMENSIONS & CONSTRUCTION MAY CHANGE WITHOUT PRIOR NOTICE.

	PAGE 1 OF 1	SCALE: NONE	TITLE: DRY TRANSFORMER OUTLINE- OUTDOOR 600V DRY TYPE 'D' GENERAL PURPOSE
	BY	DATE	
	CADD: ME	9/18/03	
	CHKD:		
	APPD:		
REVISIONS			

MGM TRANSFORMER CO.
CITY OF COMMERCE, CALIFORNIA
TEL: (323) 726-0888, FAX: (323) 726-8192

CAD NO.	REV.