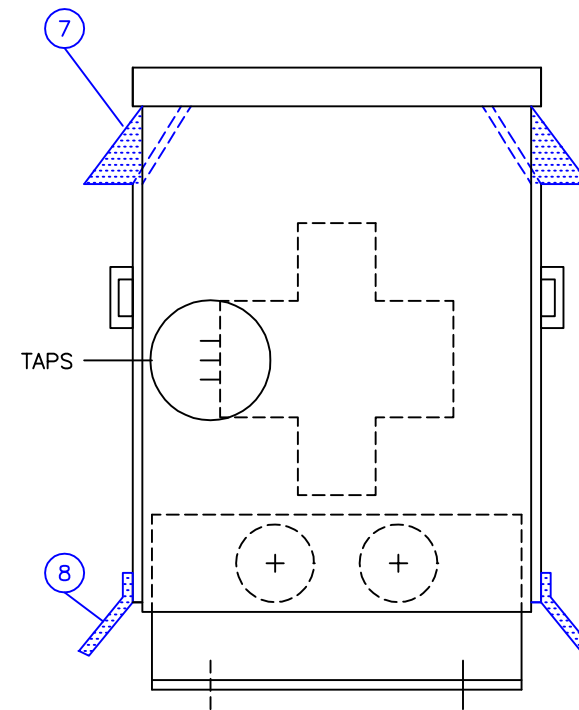
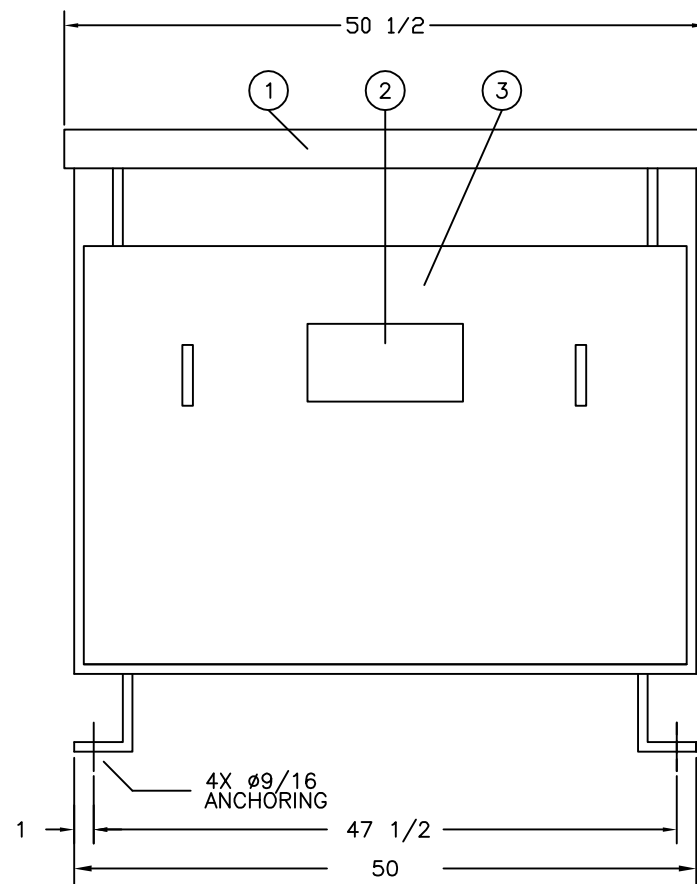
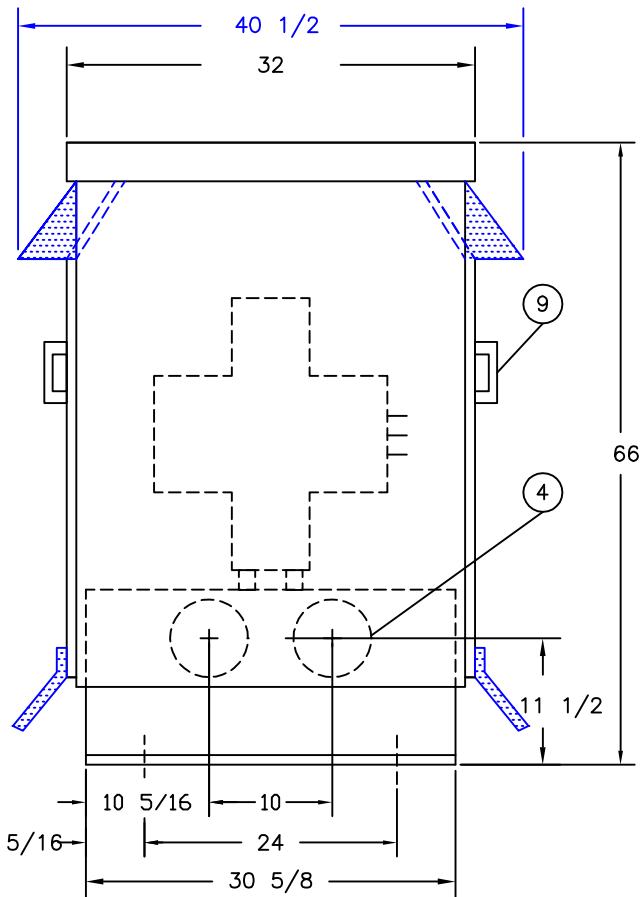


REFERENCE ONLY



PARTS LIST		
ITEM	QTY	DESCRIPTION
1	1	TOP COVER - REMOVABLE
2	1	DIAGRAMATIC NAMEPLATE
3	2	FRONT & REAR PANEL - REMOVABLE
4	4	PROVISION FOR 5" KNOCKOUT
7	2	WEATHERSHIELD, OUTDOOR UNITS ONLY
8	2	RAIN DEFLECTOR, OUTDOOR UNITS ONLY
9	4	PANEL HANDLE

TRANSFORMER'S PROPERTIES						
KVA RATING	TEMP RISE	APPRX WT (LBS)		TAPS @ PRI. VOLTS		
		ALUM	COPPER	480	240	208
300	-	-	-	-	-	-
	80°C	1900	2180	2A4B 2.5%	1A2B 5%	1A2B 5%
	150°C	2430	2660	2A4B 2.5%	1A2B 5%	1A2B 5%
500	115°C	2580	2900	2A4B 2.5%	1A2B 5%	1A2B 5%
	-	-	-	-	-	-

S.O. NO: ---
 DWG FOR: RECORD APPROVAL QUOTE

CUST/JOB NAME:
 CUST ORDER NO:
 SERIAL NO:
 ID TAG:

KVA:
 HIGH VOLTAGE:
 LOW VOLTAGE:
 HV TAPS: SEE TABLE
 HV-KV BIL: 10
 LV-KV BIL: 10
 PHASE: 3
 FREQ-HZ: 60
 TEMP RISE-°C:
 COOLING CLASS: AA
 COOLING FLUID:
 WINDING COND:
 PAINT/COATING: ANSI 61 GRAY
 APPRX WT-LBS: SEE TABLE

HV COORD: -
 LV COORD: -

- NOTES:
- 1) THIS DRAWING IS NOT FOR CONSTRUCTION PURPOSES. VERIFY WITH FACTORY BEFORE CONSTRUCTION.
 - 2) K FACTOR MIGHT CHANGE CASE DIMENSIONS, CHECK WITH FACTORY BEFORE CONSTRUCTION.
 - 3) TRANSFORMERS ARE MANUFACTURED AND TESTED PER APPLICABLE ANSI, NEMA AND IEEE STDS, LATEST REVISION.
 - 4) UNLESS OTHERWISE SPECIFIED, ALL DIMENSIONS ARE IN INCHES WITH ±1/4" TOLERANCE.
 - 5) TRANSFORMER IS U.L. LISTED.
 - 6) WEIGHTS, DIMENSIONS & CONSTRUCTION MAY CHANGE WITHOUT PRIOR NOTICE.

PAGE 1 OF 1	SCALE: NONE	TITLE: DRY TRANSFORMER OUTLINE- OUTDOOR 600V DRY TYPE 'E' GENERAL PURPOSE
BY	DATE	
CADD: ME	9/18/03	
CHKD:		
APPD:		

MGM TRANSFORMER CO.
 CITY OF COMMERCE, CALIFORNIA
 TEL: (323) 726-0888, FAX: (323) 726-8192

CAD NO.	REV.
---	---