



MGM TRANSFORMER COMPANY

CITY OF COMMERCE, CA 90040

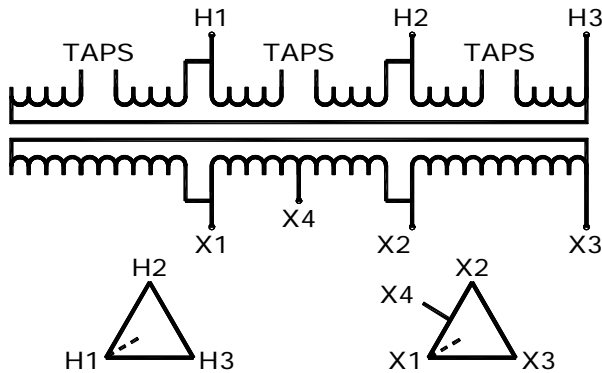
XX KVA 3 PHASE 60 HZ TYPE HT

VOLTAGE 480 - 240/120 C.T.

INSUL. SYS. 220° C 150 ° C RISE COOLING CLASS "AA"

CAT. NO. HT(XX)A3K2 IMPEDANCE % AT 170 ° C

SN. WEIGHT LBS. APPROX.



CONNECT TAPS	VOLTAGE
4 - 5	504
4 - 6	492
3 - 5	480
3 - 6	468
2 - 6	456
3 - 7	444
2 - 7	432

All adjustments to transformer should be performed only by a qualified electrician. Disconnect power before working on the transformer.



This transformer takes 480 volts 3 phase input and provides 240 volts 3 phase and 120 volts single phase output.

There is one set of taps on each of the three coils. All tap jumpers must be connected in the same position on all three coils.

INSTRUCTIONS FOR CONNECTING THIS TRANSFORMER:

Connect three phase power from utility to H1, H2, and H3.

If voltage is 480 volts (nominal voltage) connect tap jumpers between taps numbered 3 and 5 (factory default setting)

If voltage is higher than 480 volts connect the tap jumpers to:

Taps 4 and 6 if 492 volts

Taps 4 and 5 is 504 volts

If utility voltage is higher than 504 volts do not connect this transformer and contact MGM for assistance.

If voltage is below 480 volts connect the tap jumpers to:

Taps 3 and 6 if 468 volts

Taps 2 and 6 if 456 volts

Taps 3 and 7 if 444 volts

Taps 2 and 7 if 432 volts

Once jumpers are set, connect X1, X2, and X3 to power distribution system providing 240 volts three phase power
120 volt single phase output can be obtained between X1 and X4 (5% of capacity) & X2 and X4 (5% of capacity)

If maximum of 10% single phase output is used, three phase capacity is reduced by 15%