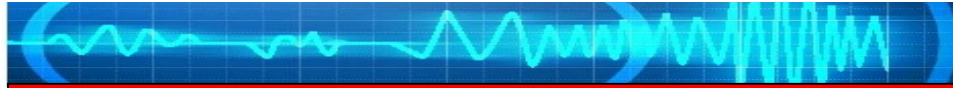


MGM

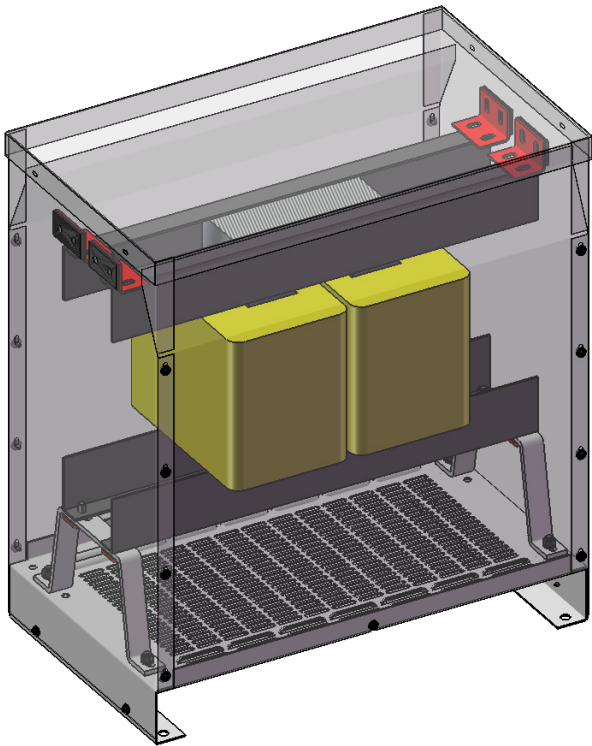


TRANSFORMER COMPANY



Introducing our new OSHPD certified seismic kits

MGM is proud to announce that both our Unit Substation and General Purpose style transformers have been certified by OSHPD (the Office of Statewide Health Planning and Development).



OSHPD is the governing agency for hospital construction in California and are known for requiring the HIGHEST building standard available. Some of their requirements include a mandate that critical electrical equipment (transformers being one of them) remain fully operational following a tri-axle shake table test which simulates a very large seismic event. Manufacturers must perform this dynamic test (or shake table test) on all the products they wish to certify. The transformers must then pass all ANSI tests as if nothing happened. A full scale report (in accordance with OSHPD standards) is then generated stating the unit has passed and is seismically qualified. Our certification can be seen at www.oshpd.ca.gov/fdd/Pre-Approval/OSP-0056-10.pdf



Using the seismic kits below you can retrofit your new general purpose style transformer(s) to become OSHPD certified:

KIT NUMBER	CASE SIZE
ESP-621	Cases: A, B, B+, C, C+
ESP-622	Cases: D and E

The California / International Building Codes (CBC/IBC) require all stationary equipment to be anchored to its supporting structure (CBC 2007, Section 1613a & IBC 2006, Section 1613). In addition, much of this equipment must have calculations to validate its method of anchorage (ASCE 7-05, Section 13.1.4).

California Building Code of 2010 (CBC 2010) went into effect on January 1st, 2011. The new code is based on the 2009 IBC and ASCE/SEI 7-05.

MGM TRANSFORMER COMPANY
5701 Smithway Street Commerce, CA 90040
(323) 726-0888 Fax (323) 726-8224
www.mgmtransformer.com