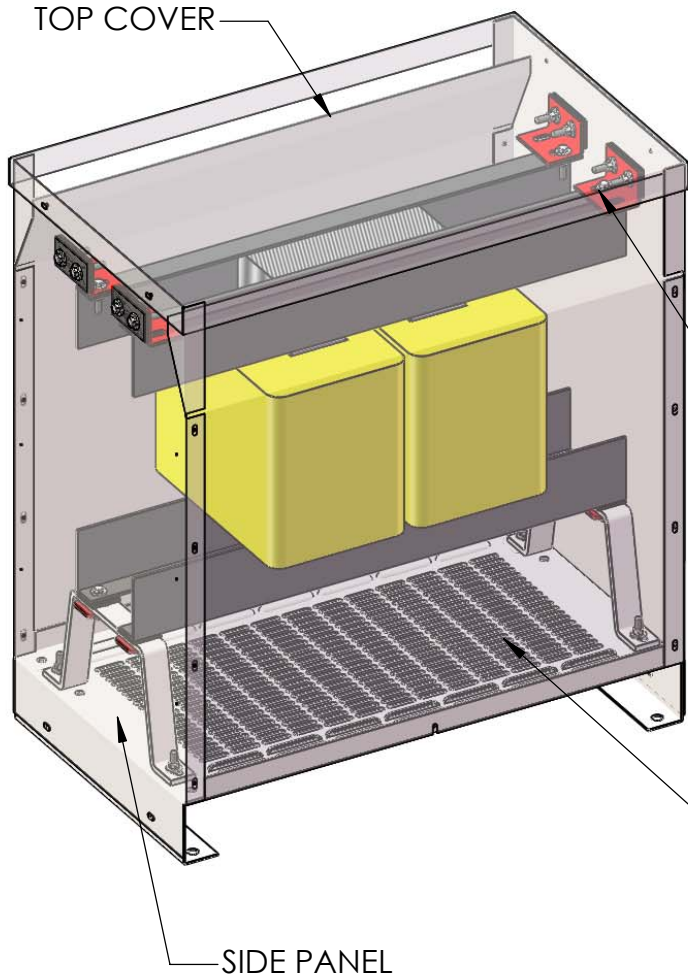
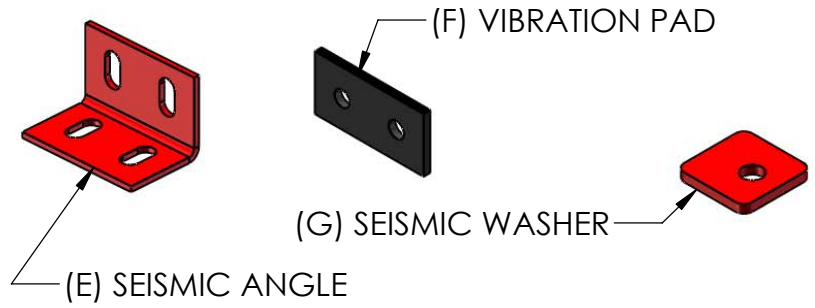


INCLUDED HARDWARE		
ITEM	DESCRIPTION	QTY.
A	3/8"-16 X 2.00" BOLT	20
B	3/8" FLAT WASHER	32
C	3/8" LOCK WASHER	20
D	3/8" NUT	20
E	SEISMIC ANGLE	4
F	VIBRATION PAD	4
G	SEISMIC WASHER	8



1) DE-ENERGIZE TRANSFORMER.

2) REMOVE TOP COVER AND FRONT & REAR PANELS.

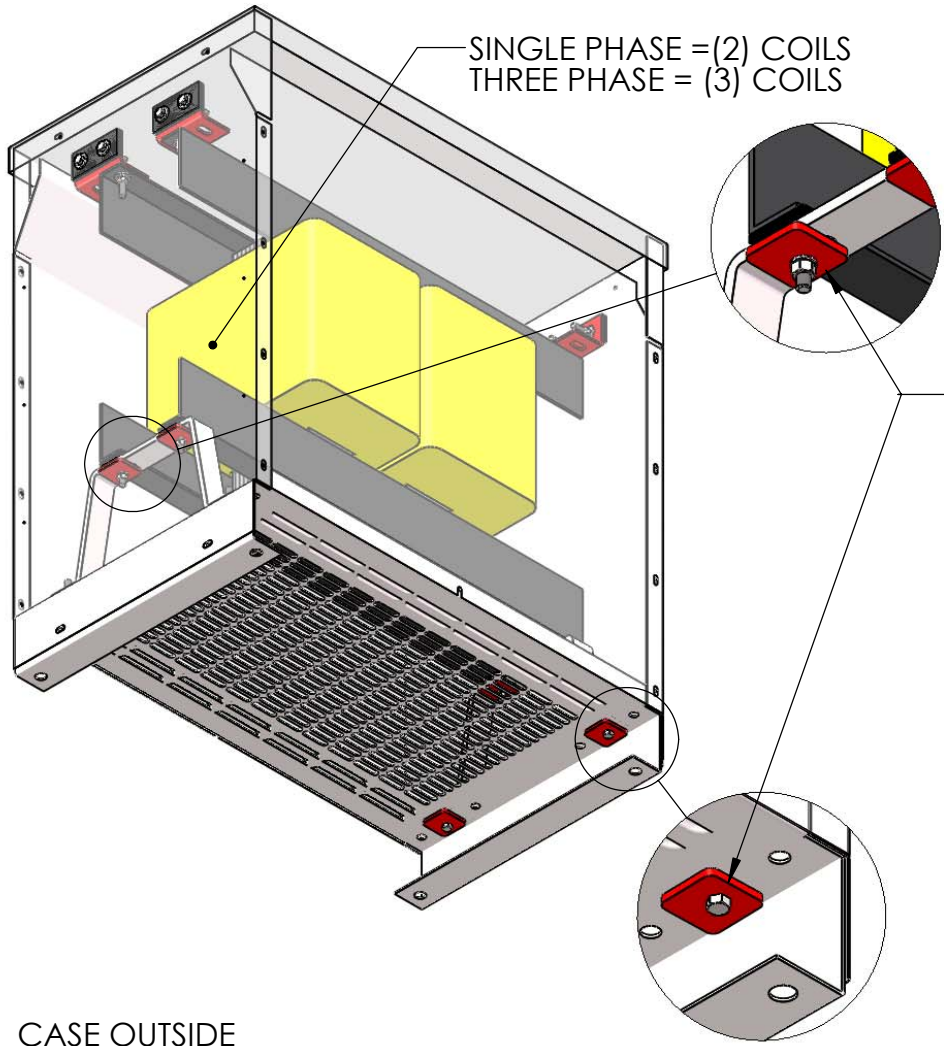
3) BOLT SEISMIC ANGLE TO TOP CLAMP AS SHOWN. (SEE CUTAWAY VIEW 1 ON NEXT PAGE)

4) MARK HOLE LOCATIONS ON SIDE PANELS. (QTY. 4 PER SIDE) SEISMIC ANGLE MAY NOT BE CENTERED ON PANEL DUE TO CORE & COIL OFFSET.

5) REMOVE SIDE PANELS OR COVER COILS TO SHIELD FROM METAL SHAVINGS AND DRILL HOLES.
CAUTION: METAL SHAVINGS CAN CAUSE ELECTRICAL FAILURE AND SERIOUS INJURY SHOULD THEY FALL

****DRAWINGS ARE FOR ILLUSTRATION PURPOSE ONLY. TRANSFORMER MODELS MAY VARY.****

REVISIONS				NAME	DATE	DESCRIPTION: PART NAME:	REV.
			DRAWN	BSB	01/07/11	OSHPD (SEISMIC) RETROFIT GP CASE (A, B, B+, C, C+)	C
C	FINALIZED AND APPROVED BY ALL.	BSB, 01/11/12	CHK'D				
B	FORMAT WAS 11 X 17" & REVISED HARDWARE.	BSB, 12/21/11	APP'VD			MGM TRANSFORMER 5701 SMITHWAY ST. CITY OF COMMERCE CA. 90040 (323)726-0888	DRAWING NAME: ESP-621
A	REVISED HARDWARE TO 3/8" PER MI.	BSB, 11/01/11			SHEET 1 OF 2		

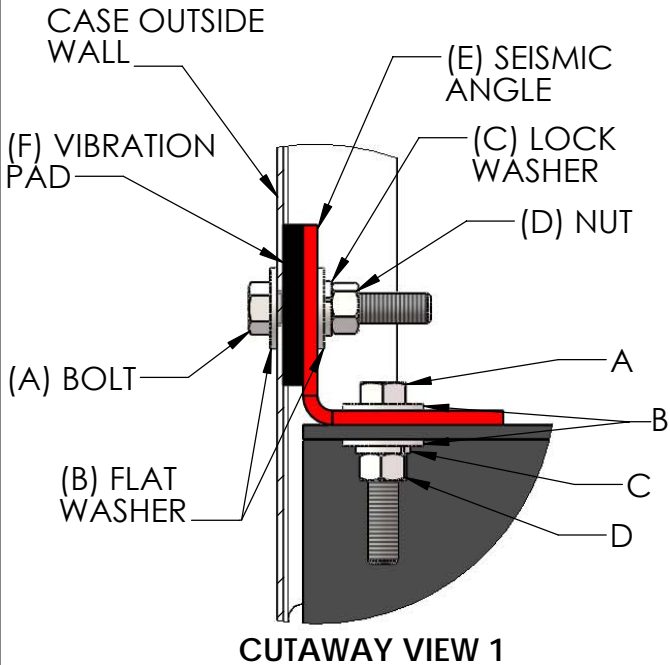


SINGLE PHASE = (2) COILS
THREE PHASE = (3) COILS

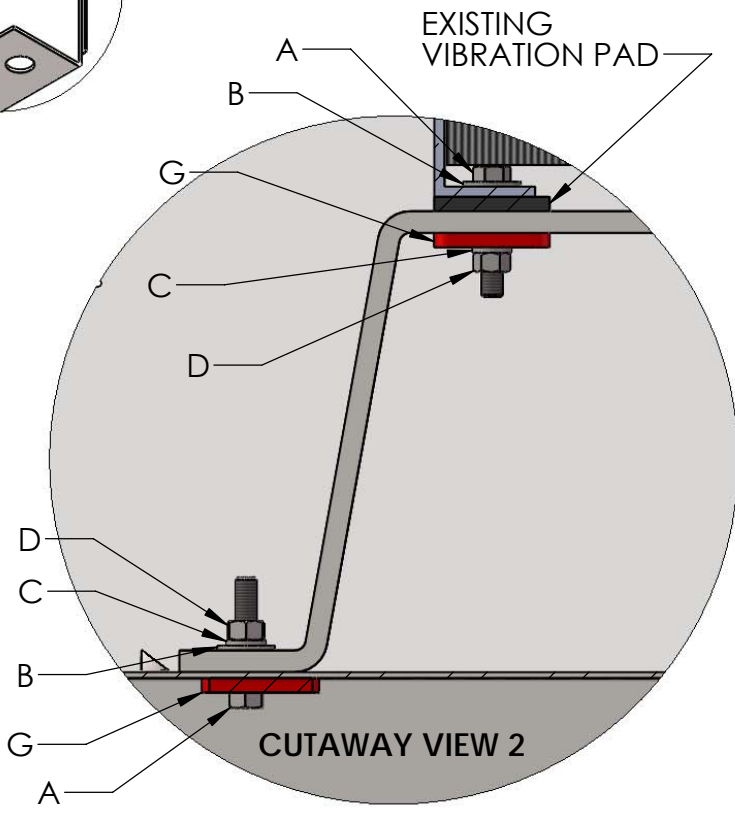
6) ON THE UNDER SIDE OF THE BASE AND THE UNDER SIDE OF THE MOUNTING BRACKETS REMOVE THE ROUND WASHERS AND PUT SEISMIC WASHERS IN THEIR PLACE. (SEE CUTAWAY VIEW 2) NO MORE THAN 2 BOLTS LOOSE AT A TIME. (QTY. 8)

7) REINSTALL SIDE PANELS AND BOLT SEISMIC ANGLES TO SIDE PANELS WITH VIBRATION PAD SANDWICHED BETWEEN. (SEE CUTAWAY VIEW 1)

8) REINSTALL FRONT & REAR PANELS AND TOP COVER.



CUTAWAY VIEW 1



CUTAWAY VIEW 2

****DRAWINGS ARE FOR ILLUSTRATION PURPOSE ONLY. TRANSFORMER MODELS MAY VARY.****

REVISIONS		NAME	DATE	DESCRIPTION: PART NAME:	REV.
		DRAWN	BSB	01/07/11	C
		CHK'D			
		APP'VD			
				MGM TRANSFORMER 5701 SMITHWAY ST. CITY OF COMMERCE CA. 90040 (323)726-0888	DRAWING NAME: ESP-621