

# WEATHERPROOF KIT INSTALLATION INSTRUCTIONS

## ITEMS SUPPLIED WITH WEATHERPROOF KIT

<u>QTY:</u>	<u>DESCRIPTION</u>
2	RAINHOODS
2	RAIN DEFLECTORS
1	INSTRUCTION SHEET

1) Read and understand all the instructions before beginning installation.

2) Check that no parts are missing from the weatherproof kit.

3) If the transformer is energized, de-energize and lock out power supplying the transformer before proceeding.

4) Remove the top two front panel screws that secure the front panel to the enclosure. Save the screws for re-use.

5) Slip the rainhood lip up under the top cover flange.

6) Line up the rainhood mounting holes with the existing holes in the enclosure. Using the screws removed in step 4, secure the rainhood to the enclosure - see figure 1.

7) Install the other rainhood by repeating steps 4 thru 6 on the opposite side.

8) Remove the bottom two front panel screws that secure the front panel to the enclosure. Save the screws for re-use.

9) Line up the rain deflector mounting holes with the existing holes in the enclosure. Using the screws removed in step 8, secure the rain deflector to the enclosure - see figure 2.

10) Install the other rain deflector by repeating steps 8 and 9 on the opposite side.

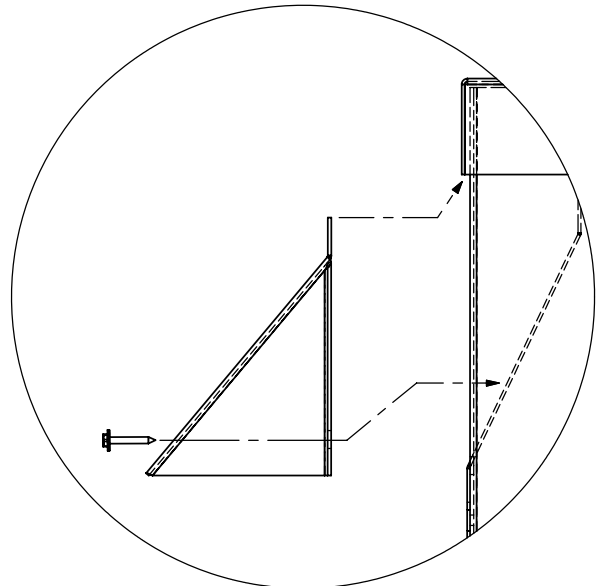


FIGURE 1 - RAINHOOD

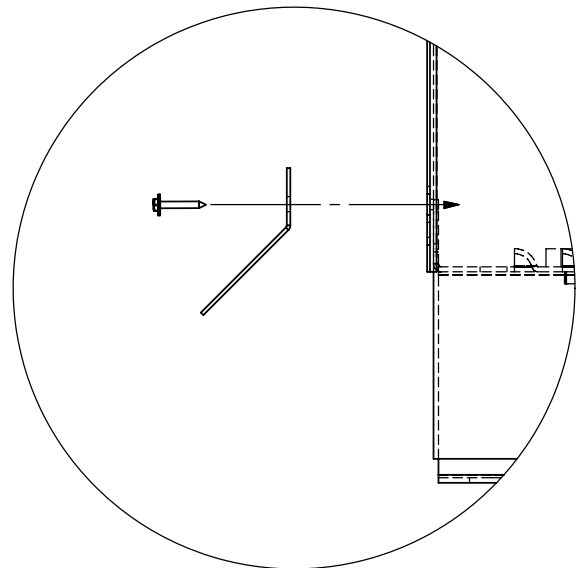


FIGURE 2 - RAIN DEFLECTOR

REVISIONS		NAME	DATE	DESCRIPTION: PART NAME:	REV.
		DRAWN	BSB	12/23/11	A
		CHK'D			
		APP'VD			
A	FINALIZED AND APPROVED BY ALL.	BSB, 01/11/12	SHEET 1 OF 1	<b>MGM TRANSFORMER</b> 5701 SMITHWAY ST. CITY OF COMMERCE CA. 90040 (323)726-0888	DRAWING NAME: <b>ESP-629</b>