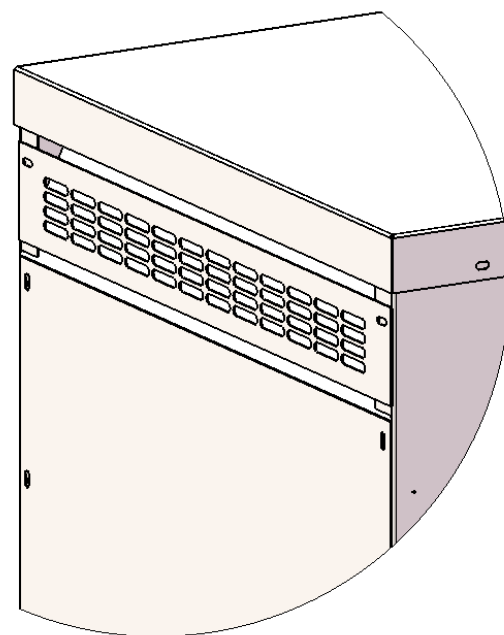
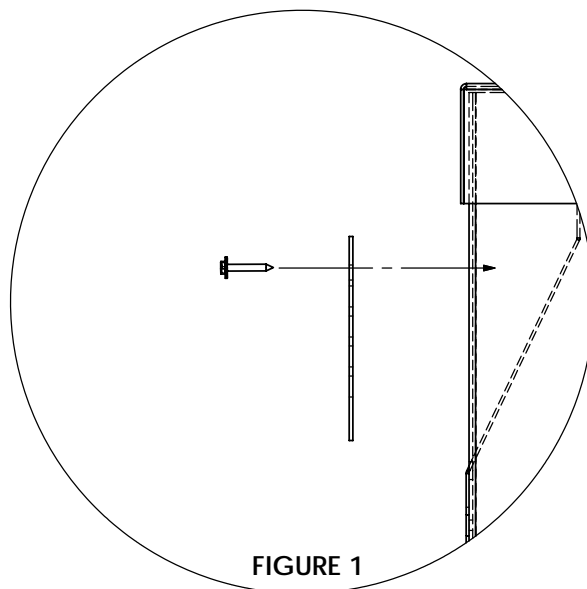


RODENT / BIRD SCREEN KIT INSTALLATION INSTRUCTIONS

ITEMS SUPPLIED WITH WEATHERPROOF KIT

| <u>QTY:</u> | <u>DESCRIPTION</u> |
|-------------|-----------------------|
| 2 | RODENT / BIRD SCREENS |
| 1 | INSTRUCTION SHEET |

- 1) Read and understand all the instructions before beginning installation.
- 2) Check that no parts are missing from the rodent/bird screen kit.
- 3) If the transformer is energized, de-energize and lock out power supplying the transformer before proceeding.
- 4) Center the screen on the open vented area of the transformer. With the mounting slots on the top side, use two self drilling/tapping screws to mount the screen on the transformer.
- 5) Repeat step 4 on opposite side.



| REVISIONS | | NAME | DATE | DESCRIPTION: PART NAME: | REV. |
|-----------|-------------------------|---------------|--------------|--|---------------------------------|
| | | DRAWN | BSB | RODENT/BIRD SCREEN INSTALLATION INSTRUCTIONS | A |
| | | CHK'D | | | |
| | | APP'VD | | | |
| A | FINALIZED AND APPROVED. | BSB, 01/16/12 | SHEET 1 OF 1 | MGM TRANSFORMER 5701 SMITHWAY ST. CITY OF COMMERCE CA. 90040 (323)726-0888 | DRAWING NAME: ESP-631 |