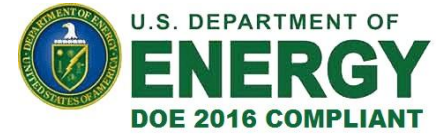


Parts List		
ITEM	QTY	DESCRIPTION
1	1	TOP COVER - REMOVABLE
2	1	DIAGRAMATIC NAMEPLATE
3	2	FRONT & REAR PANEL - REMOVABLE
4	3	HV TERMINAL
5	4	LV TERMINAL
6	2	PROVISIONS FOR Ø4" KNOCKOUT
7*	2	WATERSHIELD
8*	2	RAIN DEFLECTOR



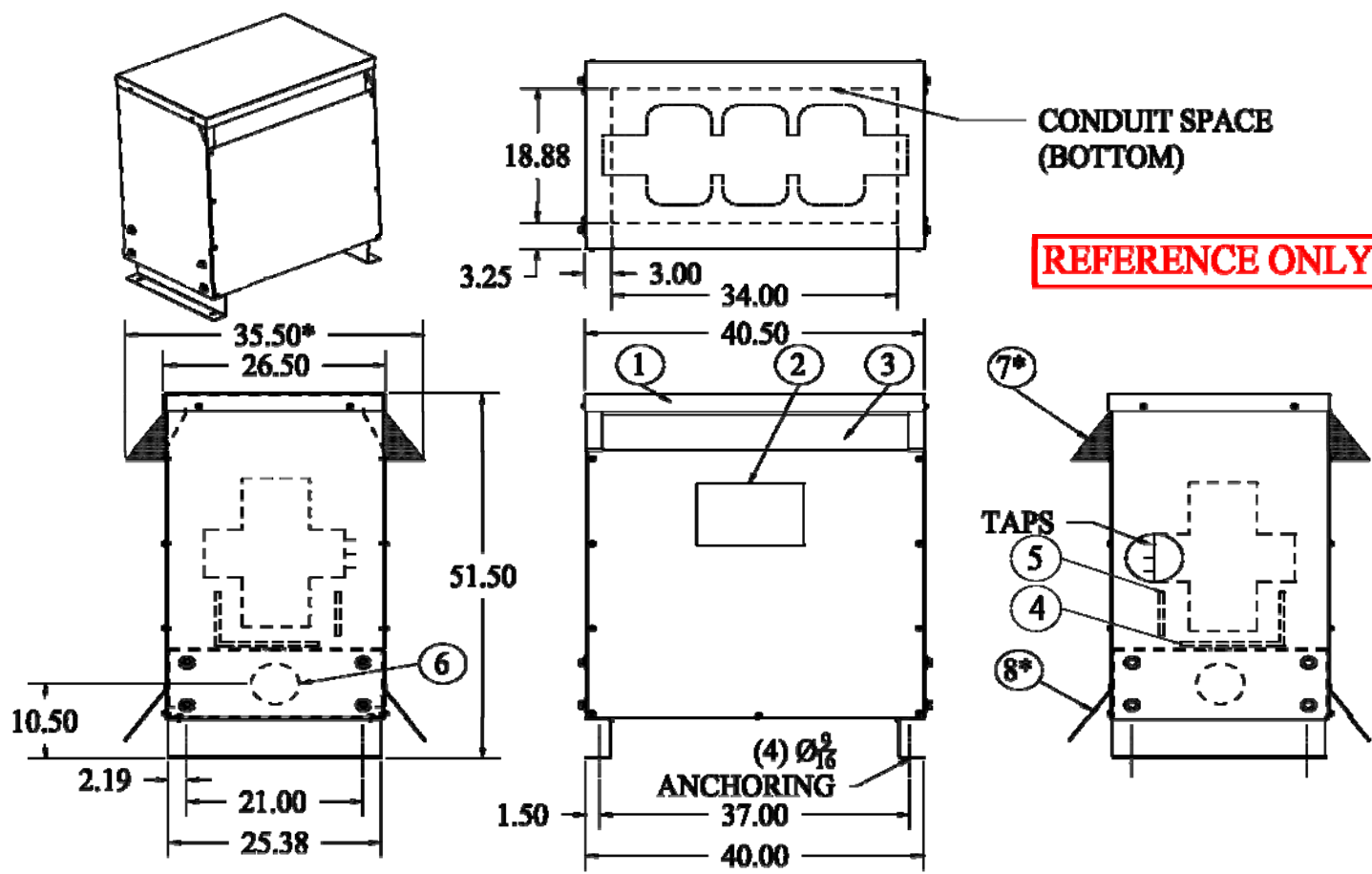
HT300A3B2-D16

S.O. NO:  
 DWG FOR:  RECORD  APPROVAL  QUOTE

CUST/JOB NAME:  
 CUST ORDER NO:  
 SERIAL NO:  
 ID TAG:

KVA: 300  
 HIGH VOLTAGE: 480D  
 LOW VOLTAGE: 208Y/120  
 HV TAPS: 2A4B 2 1/2%  
 HV-KV BIL: 10  
 LV-KV BIL: 10  
 PHASE:  SINGLE  THREE  
 FREQ-HZ:  60  50  
 TEMP RISE - °C:  150  115  80  
 COOLING CLASS: AA  
 WINDING COND:  ALUMINUM  COPPER  
 PAINT/COATING: ANSI 61 LIGHT GRAY  
 APPRX WT - LBS: 1875

STANDARD  DOE 2016  K4  K13  K20



**REFERENCE ONLY**

- NOTES: 1) THIS DRAWING IS NOT FOR CONSTRUCTION PURPOSES. VERIFY WITH FACTORY BEFORE CONSTRUCTION.  
 2) TRANSFORMERS ARE MANUFACTURED AND TESTED PER APPLICABLE ANSI, NEMA, AND IEEE STANDARDS.  
 3) UNLESS OTHERWISE SPECIFIED ALL DIMENSIONS ARE IN INCHES WITH ± 1/4" TOLERANCE.  
 4) TRANSFORMER IS UL & CSA LISTED AND LABELED.  
 5) \* APPLIES TO OUTDOOR UNITS ONLY

	SCALE : N/A	PAGE 1 OF 1	3PH, 600V GENERAL PURPOSE DRY TYPE * <input checked="" type="checkbox"/> INDOOR <input type="checkbox"/> OUTDOOR
	CADD:		TRANSFORMER OUTLINE, CASE D (CASE 6)
	CHKD:		MGM TRANSFORMER CO. CAD NO. REV:
	APPD:		CITY OF COMMERCE, CALIFORNIA TEL: (323) 726-0888, FAX: (323) 726-8192
<b>REVISIONS</b>			