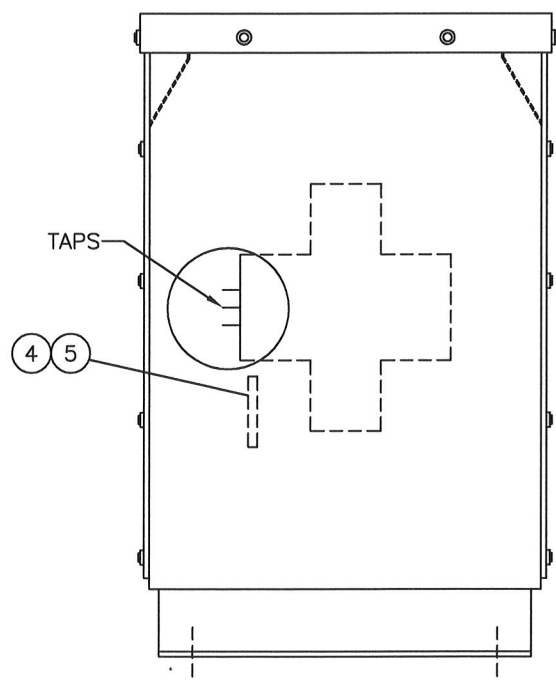
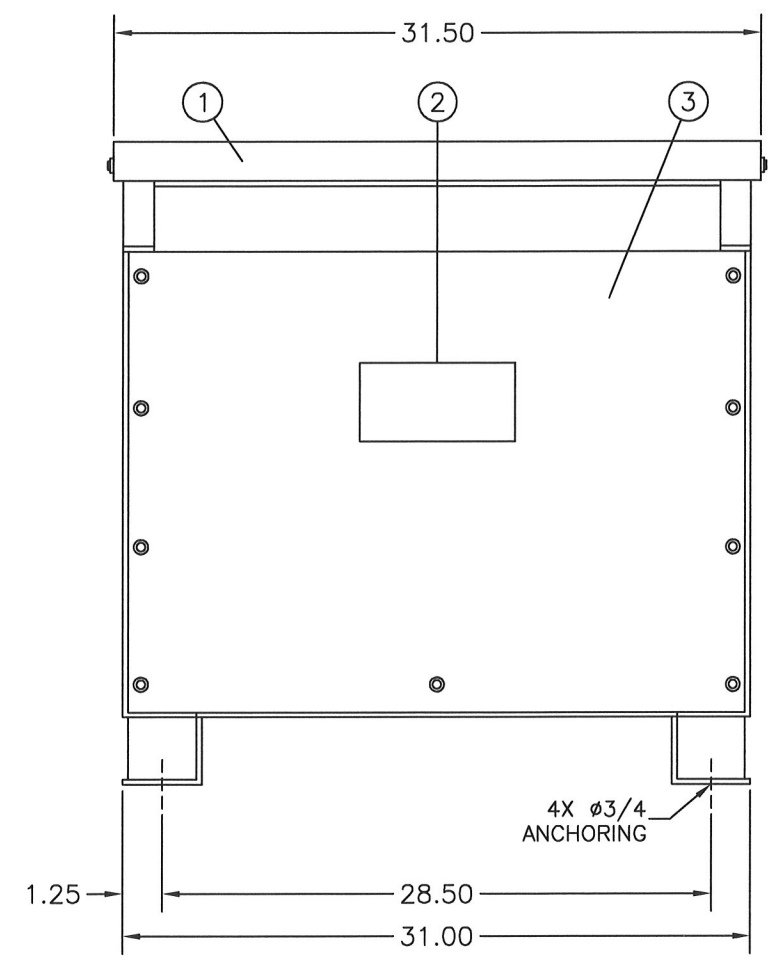
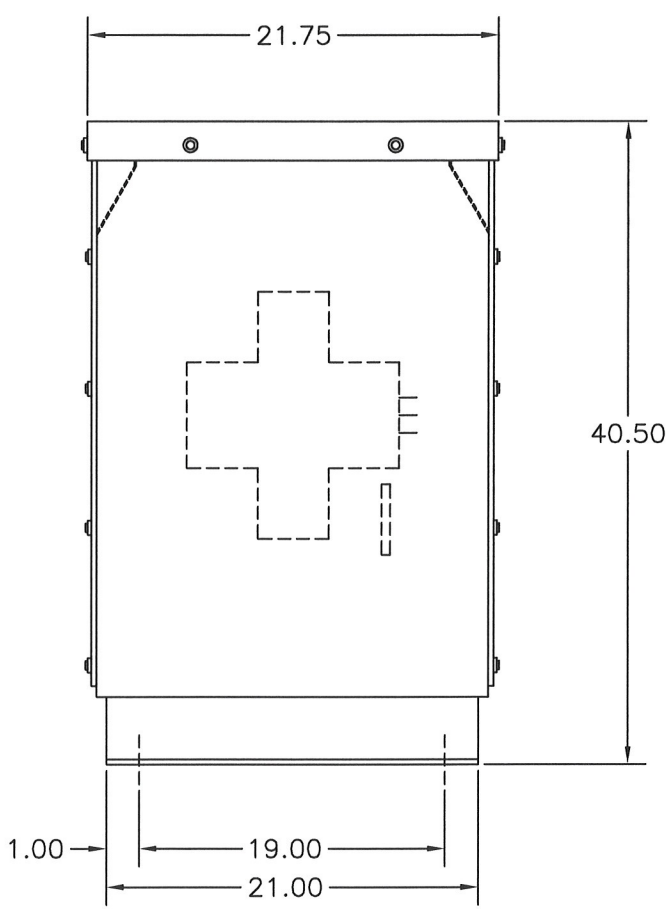
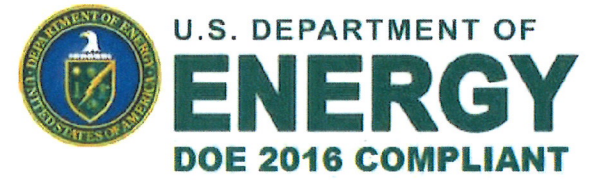


REFERENCE  
ONLY



LEGEND		
ITEM	QTY	DESCRIPTIONS
1	1	TOP COVER - REMOVABLE
2	1	DIAGRAMATIC NAMEPLATE
3	2	FRONT & REAR PANEL - REMOVABLE
4	3	HV TERMINAL
5	4	LV TERMINAL



HT150A3B1-D16

S.O. NO:		<input type="checkbox"/> RECORD		<input type="checkbox"/> APPROVAL	<input type="checkbox"/> QUOTE
CUST/JOB NAME: -					
CUST ORDER NO: -					
SERIAL NO: -					
ID TAG: -					
KVA: 150 HIGH VOLTAGE: 480 DELTA LOW VOLTAGE: 208Y/120 HV TAPS: 2A2B @ 2 1/2% HV-KV BIL: 10 LV-KV BIL: 10 PHASE: 3 FREQ-HZ: 60 TEMP RISE-°C: 150 COOLING CLASS: AA INSULATION CLASS: 220°C WINDING COND: COPPER PAINT/COATING: ANSI 61 LIGHT GRAY APPRX WT-LBS/KGS: 1045/474					
<input type="checkbox"/> STANDARD <input checked="" type="checkbox"/> DOE 10CFR <input type="checkbox"/> K4 <input type="checkbox"/> K13 <input type="checkbox"/> K20					

- NOTES:**
- 1) TRANSFORMERS ARE MANUFACTURED AND TESTED PER APPLICABLE ANSI, NEMA AND IEEE STDS, LATEST REVISION.
  - 2) UNLESS OTHERWISE SPECIFIED, ALL DIMENSIONS ARE IN INCHES WITH ± 1/4" TOLERANCE.
  - 3) TRANSFORMER IS UL & CSA LISTED AND LABELED.
  - 4) DOE 2016, 10CFR 431 EFFICIENCY - 150 KVA TRANSFORMER MEET OR EXCEED EFFICIENCY = 98.83% @ 75°C @ 35% LOAD.
  - 5) TRANSFORMER IS DESIGNED FOR INDOOR (NEMA 1) AND OUTDOOR (NEMA 3R) APPLICATION.
  - 6) TRANSFORMER NOT TO BE INSTALLED IN PUBLIC ACCESS AREAS OTHERWISE IT MUST BE FENCED OR ISOLATED.

REVISIONS	PAGE 1 OF 1	SCALE: NONE	TITLE: TRANSFORMER OUTLINE DRY TYPE GENERAL PURPOSE, CASE C+ (CASE 5)	<input checked="" type="checkbox"/> OUTDOOR	CAD NO. <b>MG00150N3-16-150YSC</b>	REV.
	BY	DATE		<input checked="" type="checkbox"/> INDOOR		
	CADD: HM	2/16/17				
	CHKD: AH	2/16/17				
	APPD: <i>Andy</i>	2/22/17				

