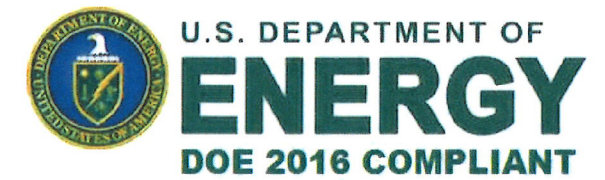


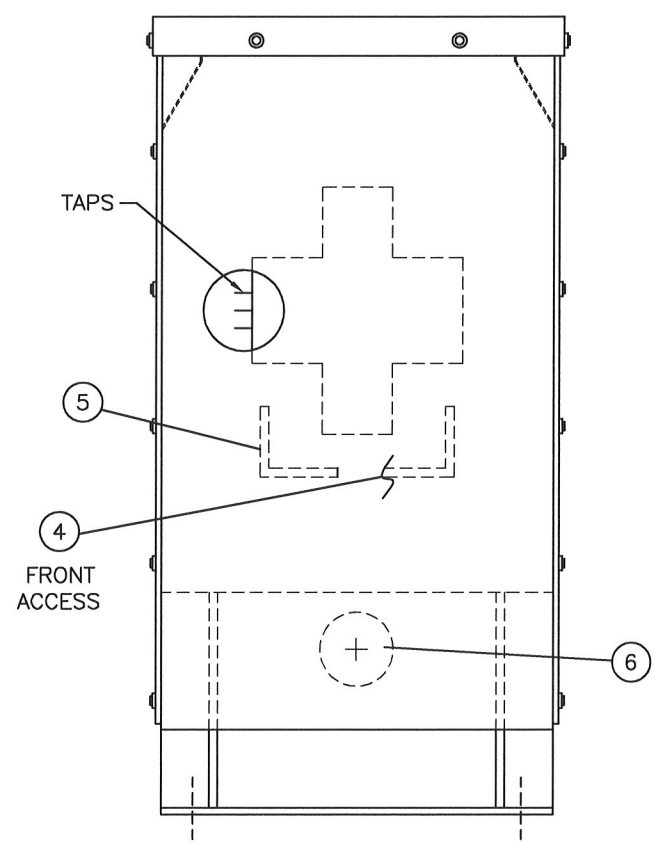
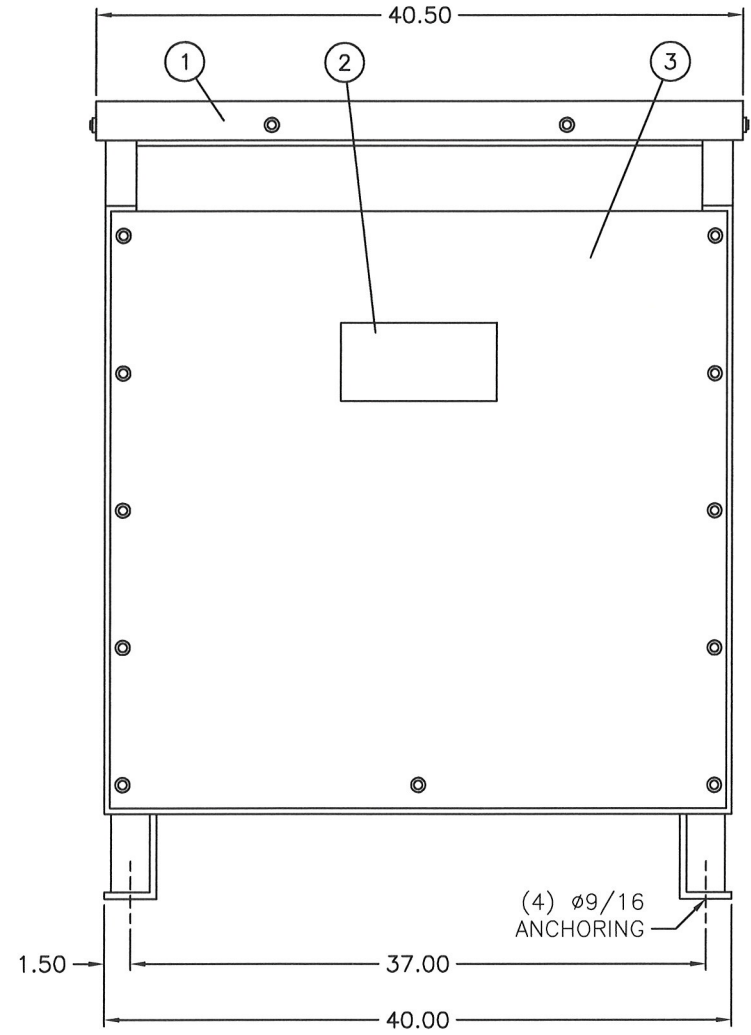
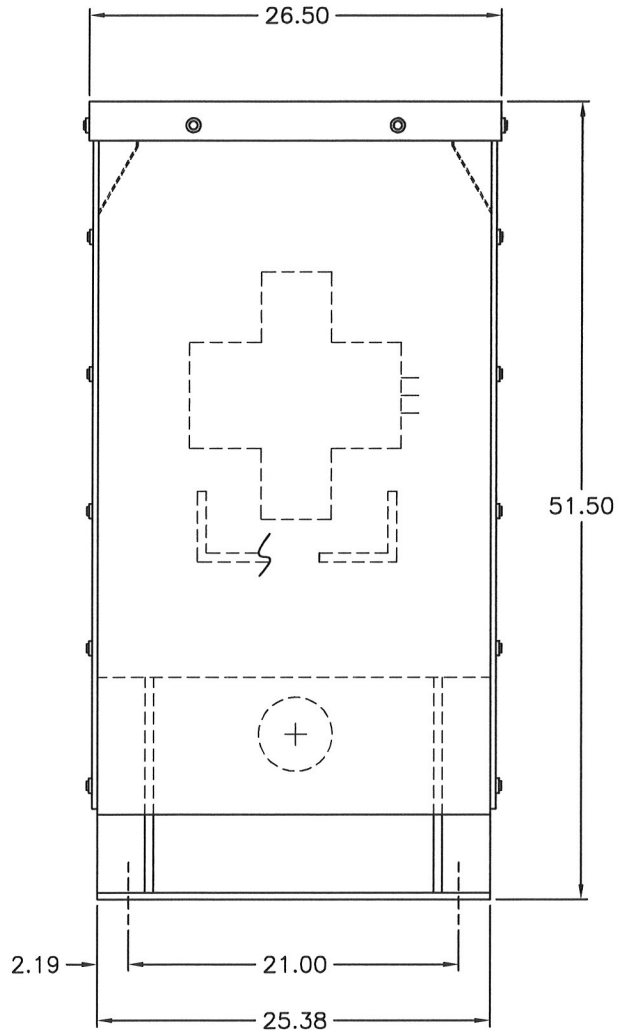
REFERENCE ONLY

LEGEND		
ITEM	QTY	DESCRIPTIONS
1	1	TOP COVER - REMOVABLE
2	1	DIAGRAMATIC NAMEPLATE
3	2	FRONT & REAR PANEL - REMOVABLE
4	3	HV TERMINAL
5	4	LV TERMINAL
6	2	PROVISIONS FOR Ø4" KNOCKOUT



**HT225A3K1-D16**

S.O. NO:	
DWG FOR:	<input checked="" type="checkbox"/> RECORD <input type="checkbox"/> APPROVAL <input type="checkbox"/> QUOTE
CUST/JOB NAME: -	
CUST ORDER NO: -	
SERIAL NO: -	
ID TAG: -	
KVA: 225 PRI VOLTAGE: 480 SEC VOLTAGE: 240/120 CT PRI TAPS: 2A4B @ 2 1/2 % PRI-KV BIL: 10 PRI-KV BIL: 10 PHASE: 3 FREQ-HZ: 60 TEMP RISE-°C: 150 COOLING CLASS: AA INSULATION CLASS: 220°C WINDING COND: COPPER PAINT/COATING: ANSI 61 GRAY APPRX WT-LBS/KGS: 1710/777	
<input type="checkbox"/> STANDARD <input checked="" type="checkbox"/> DOE 10CFR <input type="checkbox"/> K4 <input type="checkbox"/> K13 <input type="checkbox"/> K20	



- NOTES:**
- 1) TRANSFORMERS ARE MANUFACTURED AND TESTED PER APPLICABLE ANSI, NEMA AND IEEE STDS, LATEST REVISION.
  - 2) UNLESS OTHERWISE SPECIFIED, ALL DIMENSIONS ARE IN INCHES WITH ± 1/4" TOLERANCE.
  - 3) TRANSFORMER IS UL & CSA LISTED AND LABELED.
  - 4) DOE 2016, 10CFR 431 EFFICIENCY - 225 KVA TRANSFORMER MEET OR EXCEED EFFICIENCY = 98.94% @ 75°C @ 35% LOAD.

	PAGE 1 OF 1	SCALE: NONE	TITLE: TRANSFORMER OUTLINE DRY TYPE GENERAL PURPOSE, CASE D(CASE 6)	<input type="checkbox"/> OUTDOOR <input checked="" type="checkbox"/> INDOOR
	BY: HM	DATE: 02/20/17	<b>MGM TRANSFORMER CO.</b> <small>CITY OF COMMERCE, CALIFORNIA TEL: (323) 726-0888, FAX: (323) 726-8192</small>	
	CHKD: AH	DATE: 02/20/17		
REVISIONS	APPD: <i>[Signature]</i>	DATE: 2/22/17		
			CAD NO. <b>MG00225N1-16-225DSC</b>	REV.