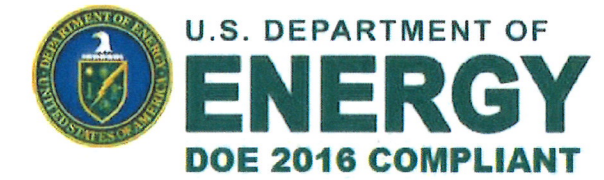
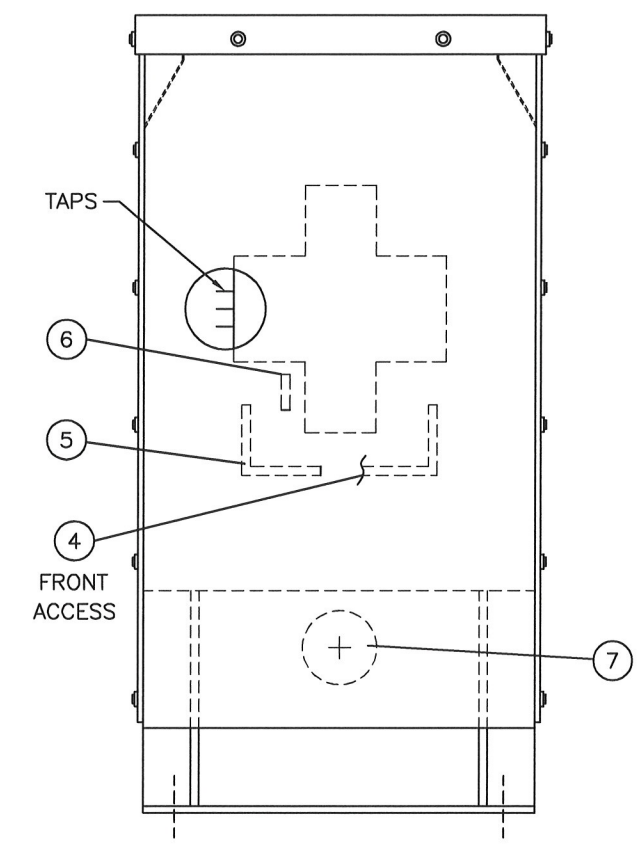
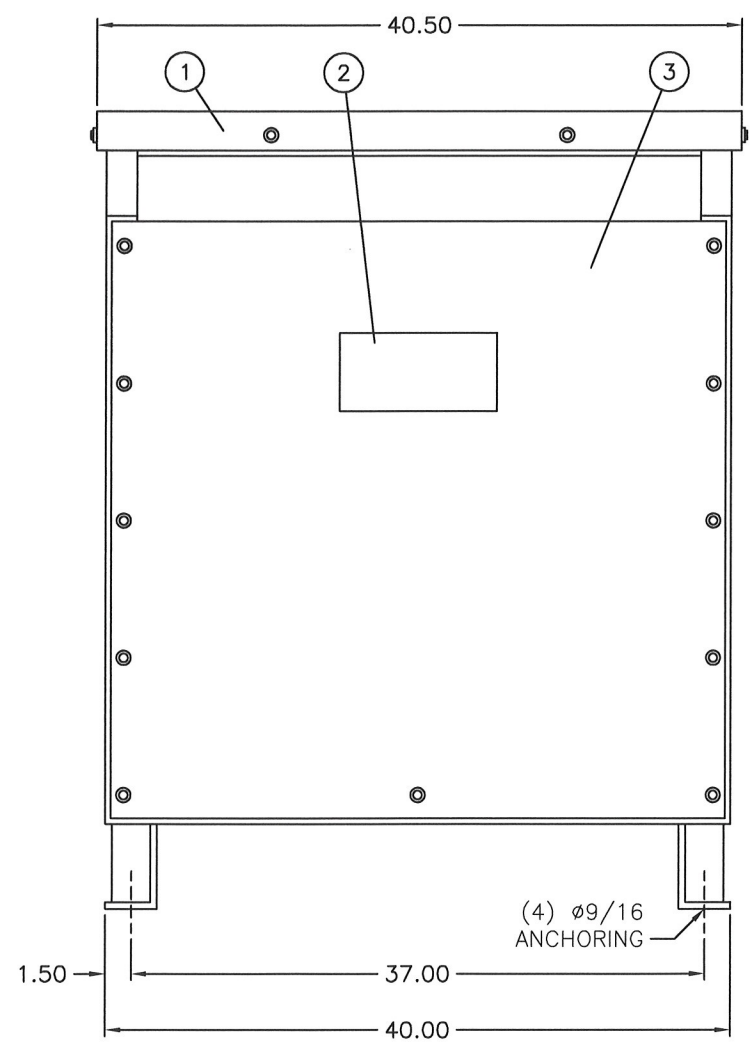
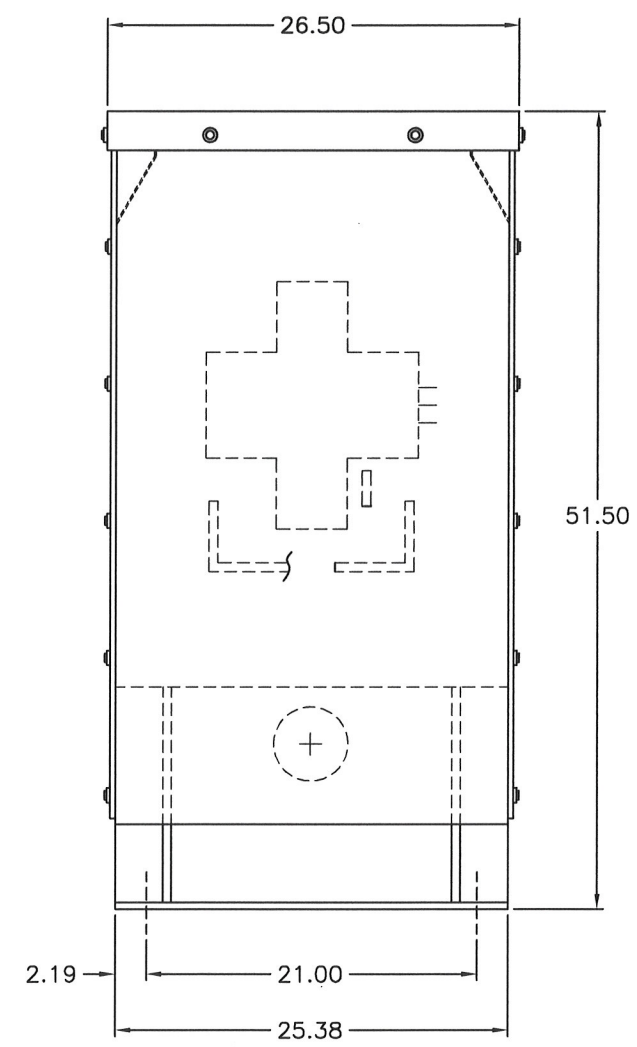


REFERENCE
ONLY

LEGEND		
ITEM	QTY	DESCRIPTIONS
1	1	TOP COVER - REMOVABLE
2	1	DIAGRAMATIC NAMEPLATE
3	2	FRONT & REAR PANEL - REMOVABLE
4	3	HV TERMINAL
5	3	LV TERMINAL
6	1	NEUTRAL BUS WITH X0 TERMINAL.
7	2	PROVISIONS FOR Ø4" KNOCKOUT



HT300A3B1-D16



S.O. NO:	
DWG FOR:	<input checked="" type="checkbox"/> RECORD <input type="checkbox"/> APPROVAL <input type="checkbox"/> QUOTE
CUST/JOB NAME: -	
CUST ORDER NO: -	
SERIAL NO: -	
ID TAG: -	
KVA: 300 PRI VOLTAGE: 480 DELTA SEC VOLTAGE: 208Y/120 PRI TAPS: 2A4B @ 2 1/2 % PRI-KV BIL: 10 PRI-KV BIL: 10 PHASE: 3 FREQ-HZ: 60 TEMP RISE-°C: 150 COOLING CLASS: AA INSULATION CLASS: 220°C WINDING COND: COPPER PAINT/COATING: ANSI 61 GRAY APPRX WT-LBS/KGS: 1940/882	
<input type="checkbox"/> STANDARD <input checked="" type="checkbox"/> DOE 10CFR <input type="checkbox"/> K4 <input type="checkbox"/> K13 <input type="checkbox"/> K20	

NOTES:
 1) TRANSFORMERS ARE MANUFACTURED AND TESTED PER APPLICABLE ANSI, NEMA AND IEEE STDS, LATEST REVISION.
 2) UNLESS OTHERWISE SPECIFIED, ALL DIMENSIONS ARE IN INCHES WITH ± 1/4" TOLERANCE.
 3) TRANSFORMER IS UL & CSA LISTED AND LABELED.
 4) DOE 2016, 10CFR 431 EFFICIENCY - 300 KVA TRANSFORMER MEET OR EXCEED EFFICIENCY = 99.02% @ 75°C @ 35% LOAD.

	PAGE 1 OF 1	SCALE: NONE	TITLE: TRANSFORMER OUTLINE DRY TYPE	
	BY:	DATE:	GENERAL PURPOSE, CASE D (CASE 6)	<input type="checkbox"/> OUTDOOR <input checked="" type="checkbox"/> INDOOR
	CADD: HM	02/16/17		
	CHKD: AH	02/16/17		
REVISIONS	APPD: <i>AEH</i>	02/22/17		



CAD NO. **MG00300N1-16-300VSC** REV.