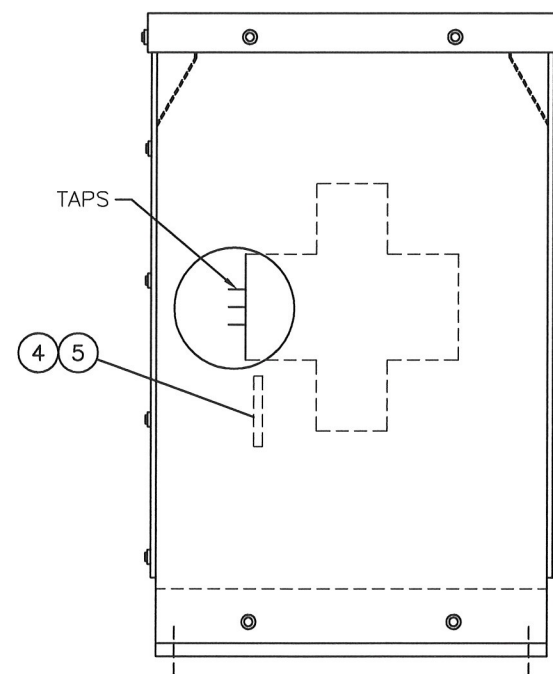
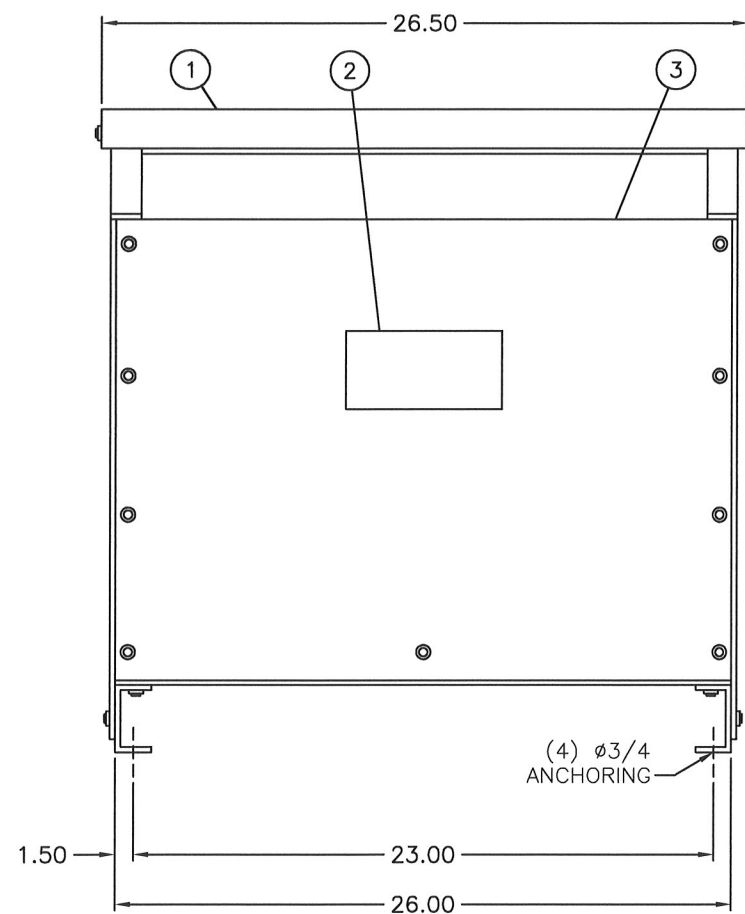
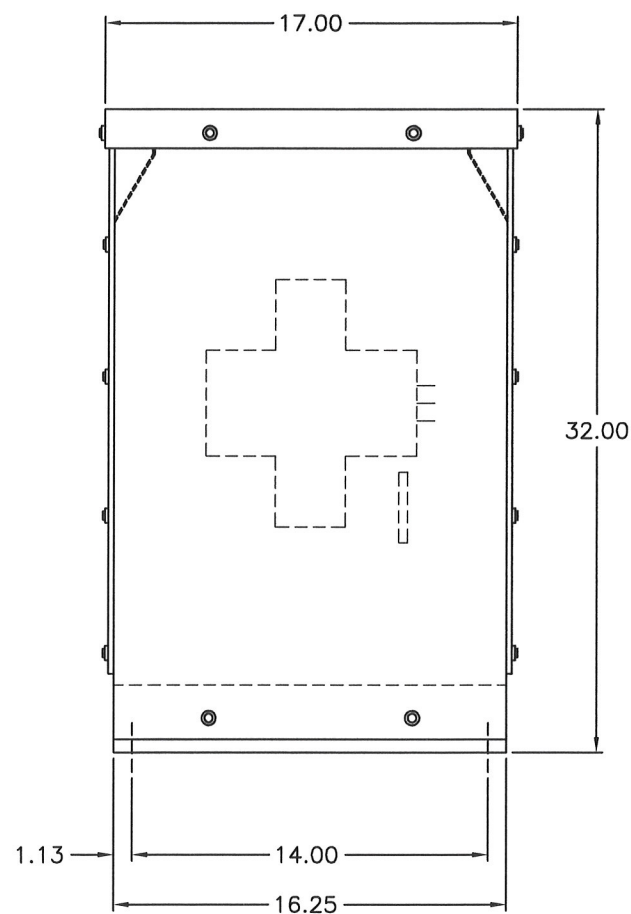
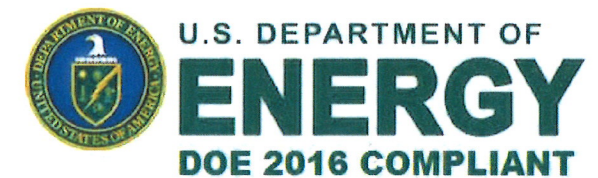


REFERENCE ONLY



LEGEND		
ITEM	QTY	DESCRIPTIONS
1	1	TOP COVER - REMOVABLE
2	1	DIAGRAMATIC NAMEPLATE
3	2	FRONT & REAR PANEL - REMOVABLE
4	3	HV TERMINAL
5	4	LV TERMINAL



HT45A3B1-D16

S.O. NO:	
DWG FOR:	<input checked="" type="checkbox"/> RECORD <input type="checkbox"/> APPROVAL <input type="checkbox"/> QUOTE
CUST/JOB NAME: -	
CUST ORDER NO: -	
SERIAL NO: -	
ID TAG: -	
KVA: 45 HIGH VOLTAGE: 480 DELTA LOW VOLTAGE: 208Y/120 HV TAPS: 2A4B @ 2 1/2% HV-KV BIL: 10 LV-KV BIL: 10 PHASE: 3 FREQ-HZ: 60 TEMP RISE-°C: 150 COOLING CLASS: AA INSULATION CLASS: 220°C WINDING COND: COPPER PAINT/COATING: ANSI 61 GRAY APPRX WT-LBS/KGS: 455/207	
<input type="checkbox"/> STANDARD <input checked="" type="checkbox"/> DOE 10CFR <input type="checkbox"/> K1 <input type="checkbox"/> K4 <input type="checkbox"/> K13 <input type="checkbox"/> K20	

NOTES:

- 1) TRANSFORMERS ARE MANUFACTURED AND TESTED PER APPLICABLE ANSI, NEMA AND IEEE STDS, LATEST REVISION.
- 2) UNLESS OTHERWISE SPECIFIED, ALL DIMENSIONS ARE IN INCHES WITH ± 1/4" TOLERANCE.
- 3) TRANSFORMER IS UL & CUL LISTED AND LABELED.
- 4) MEETS DOE 10CFR 431, 2016 EFFICIENCY - 45 KVA TRANSFORMER MEET OR EXCEED EFFICIENCY = 98.40% @75°C@35% LOAD.
- 5) TRANSFORMER DESIGNED FOR INDOOR (NEMA 1) AND OUTDOOR (NEMA 3R) APPLICATION.
- 6) TRANSFORMER NOT TO BE INSTALLED IN PUBLIC ACCESS AREAS OTHERWISE IT MUST BE FENCED OR ISOLATED.

	PAGE 1 OF 1	SCALE: NONE	TITLE: TRANSFORMER OUTLINE DRY TYPE GENERAL PURPOSE, CASE B	<input checked="" type="checkbox"/> OUTDOOR <input checked="" type="checkbox"/> INDOOR
	BY: HM	DATE: 02/16/17		
	CHKD: AH	DATE: 02/16/17		
REVISIONS	APPD: <i>APC</i>	DATE: 2/22/17		



CAD NO. **MG00045N3-16-45YSC** REV.