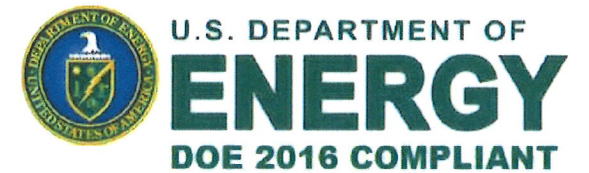
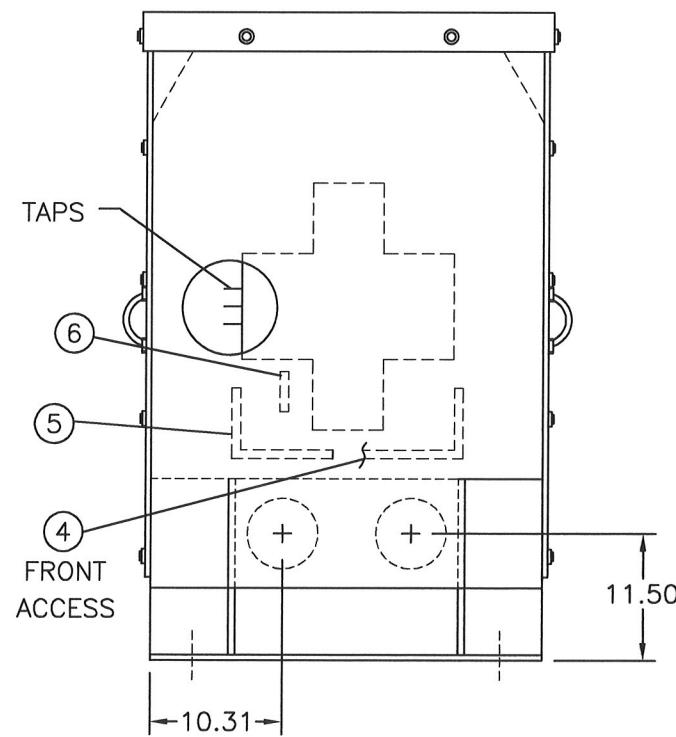
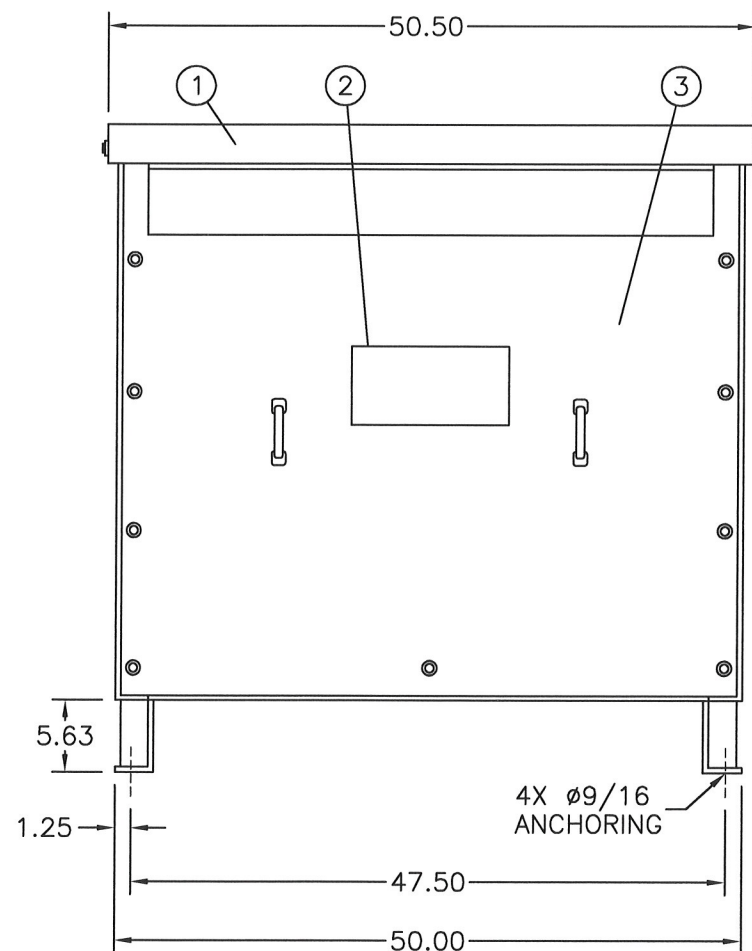
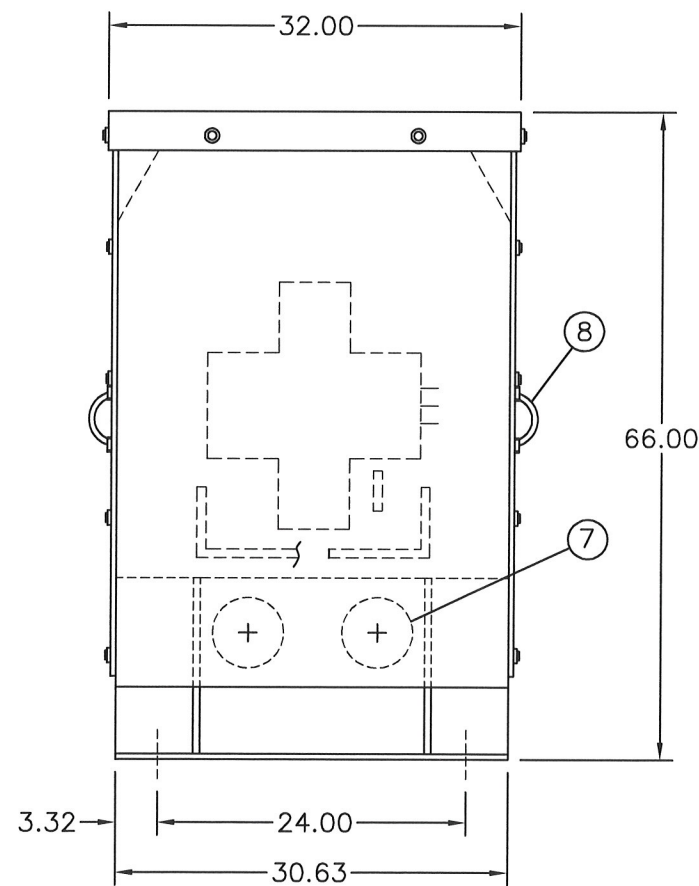


REFERENCE ONLY

LEGEND		
ITEM	QTY	DESCRIPTIONS
1	1	TOP COVER - REMOVABLE
2	1	DIAGRAMATIC NAMEPLATE
3	2	FRONT & REAR PANEL - REMOVABLE
4	3	HV TERMINAL
5	3	LV TERMINAL
6	1	NEUTRAL BUS WITH X0 TERMINAL
7	4	PROVISIONS FOR Ø5" KNOCKOUT
8	4	PANEL HANDLE



HT500A3B1-D16



S.O. NO:	
DWG FOR:	<input checked="" type="checkbox"/> RECORD <input type="checkbox"/> APPROVAL <input type="checkbox"/> QUOTE
CUST/JOB NAME:	-
CUST ORDER NO:	-
SERIAL NO:	-
ID TAG:	-
KVA:	500
HIGH VOLTAGE:	480 DELTA
LOW VOLTAGE:	208Y/120
HV TAPS:	2A4B 2 1/2%
HV-KV BIL:	10
LV-KV BIL:	10
PHASE:	3
FREQ-HZ:	60
TEMP RISE-°C:	150
COOLING CLASS:	AA
INSULATION CLASS:	220°C
WINDING COND:	COPPER
PAINT/COATING:	ANSI 61 LIGHT GRAY
APPRX WT-LBS/KGS:	2885/1311
<input type="checkbox"/> STANDARD <input checked="" type="checkbox"/> DOE 10CFR <input type="checkbox"/> K4 <input type="checkbox"/> K13 <input type="checkbox"/> K20	

- NOTES:
- 1) TRANSFORMERS ARE MANUFACTURED AND TESTED PER APPLICABLE ANSI, NEMA AND IEEE STDS, LATEST REVISION.
  - 2) UNLESS OTHERWISE SPECIFIED, ALL DIMENSIONS ARE IN INCHES WITH ± 1/4" TOLERANCE.
  - 3) TRANSFORMER IS UL & CSA LISTED AND LABELED.
  - 4) DOE 2016, 10CFR 431 EFFICIENCY - 500 KVA TRANSFORMER MEET OR EXCEED EFFICIENCY = 99.14% @ 75°C @ 35% LOAD.

REVISIONS	PAGE 1 OF 1	SCALE: N/A	TITLE: TRANSFORMER OUTLINE DRY TYPE	<input checked="" type="checkbox"/> INDOOR
	BY	DATE	GENERAL PURPOSE, CASE-E (CASE 7)	<input type="checkbox"/> OUTDOOR
	CADD: HM	02/16/17	<b>MGM TRANSFORMER CO.</b> CITY OF COMMERCE, CALIFORNIA TEL: (323) 726-0888, FAX: (323) 726-8192	CAD NO. <b>MG00500N1-16-500YSC</b>
	CHKD: AH	02/16/17		
	APPD: <i>Arey</i>	2/22/17		