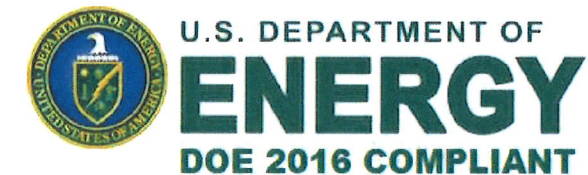
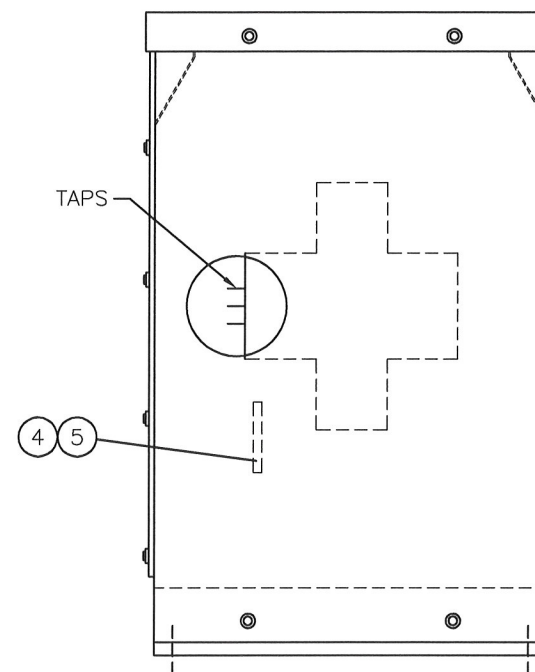
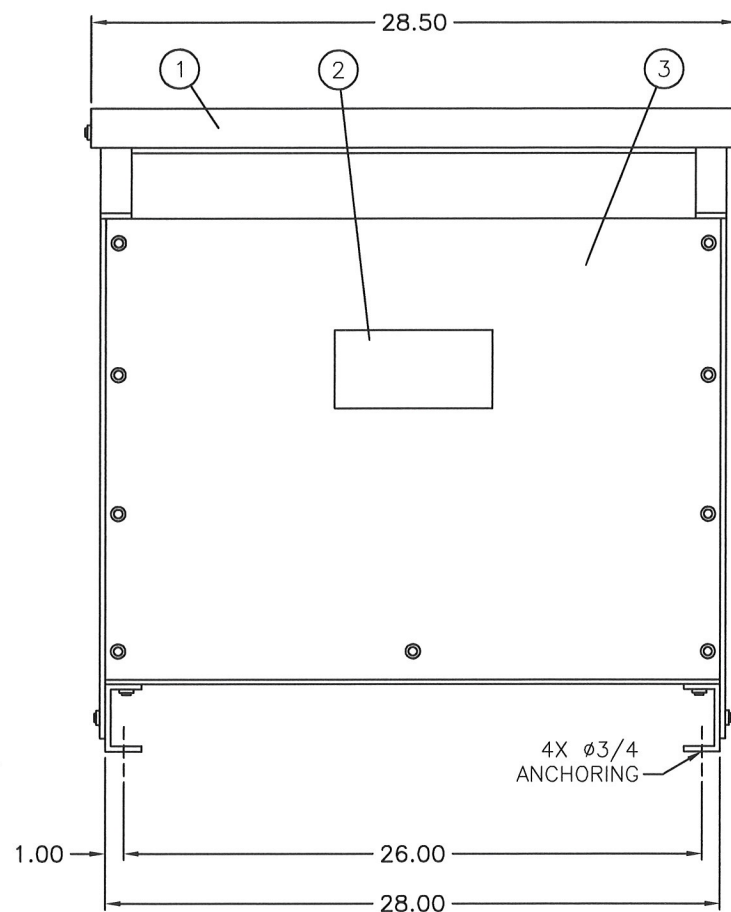
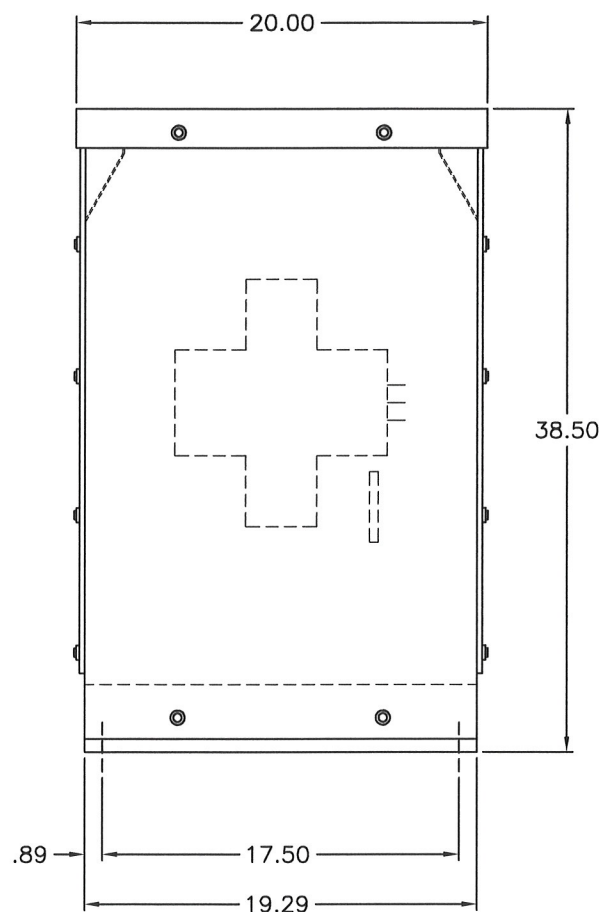


REFERENCE  
ONLY

LEGEND		
ITEM	QTY	DESCRIPTIONS
1	1	TOP COVER - REMOVABLE
2	1	DIAGRAMATIC NAMEPLATE
3	2	FRONT & REAR PANEL - REMOVABLE
4	3	HV TERMINAL
5	4	LV TERMINAL



**HT75A3B1-D16**

S.O. NO: \_\_\_\_\_  
 DWG FOR:  RECORD     APPROVAL     QUOTE

CUST/JOB NAME: -  
 CUST ORDER NO: -  
 SERIAL NO: -  
 ID TAG: -

KVA: 75	HIGH VOLTAGE: 480 DELTA
LOW VOLTAGE: 208Y/120	HV TAPS: 2A4B @ 2 1/2%
HV-KV BIL: 10	LV-KV BIL: 10
PHASE: 3	FREQ-HZ: 60
TEMP RISE-°C: 150	COOLING CLASS: AA
INSULATION CLASS: 220°C	WINDING COND: COPPER
PAIN/COATING: ANSI 61 GRAY	APPRX WT-LBS/KGS: 645/293

STANDARD     DOE 10CFR     K1     K13     K20

- NOTES:**
- 1) TRANSFORMERS ARE MANUFACTURED AND TESTED PER APPLICABLE ANSI, NEMA AND IEEE STDS, LATEST REVISION.
  - 2) UNLESS OTHERWISE SPECIFIED, ALL DIMENSIONS ARE IN INCHES WITH ± 1/4" TOLERANCE.
  - 3) TRANSFORMER IS UL & CSA LISTED AND LABELED.
  - 4) DOE 2016, 10CFR 431 EFFICIENCY - 75 KVA TRANSFORMER MEET OR EXCEED EFFICIENCY = 98.6% @ 75°C @ 35% LOAD.
  - 5) TRANSFORMER IS DESIGNED FOR INDOOR (NEMA 1) AND OUTDOOR (NEMA 3R) APPLICATION.
  - 6) TRANSFORMER NOT TO BE INSTALLED IN PUBLIC ACCESS AREAS OTHERWISE IT MUST BE FENCED OR ISOLATED.

	PAGE 1 OF 1	SCALE: NONE	TITLE: TRANSFORMER OUTLINE DRY TYPE GENERAL PURPOSE, CASE B+	<input checked="" type="checkbox"/> OUTDOOR <input checked="" type="checkbox"/> INDOOR
	BY	DATE		
	CADD: HM	02/16/17		
	CHKD: AH	02/16/17		
REVISIONS	APPD: <i>Aey</i>	2/22/17		



CAD NO. **MG00075N3-16-75YSC**    REV. \_\_\_\_\_