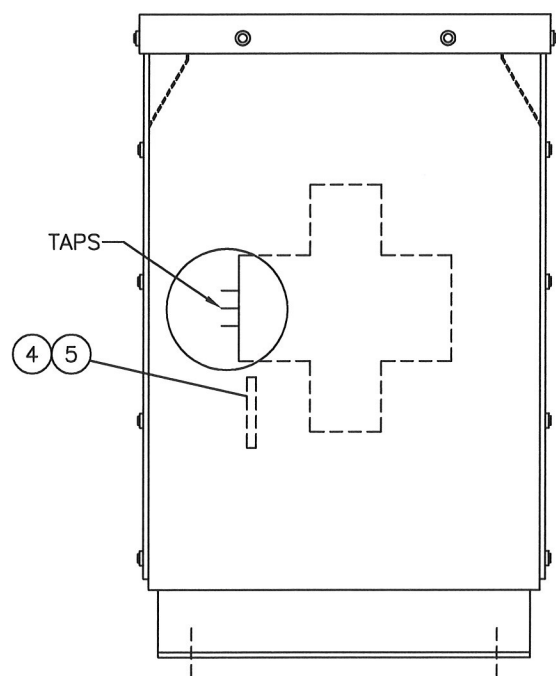
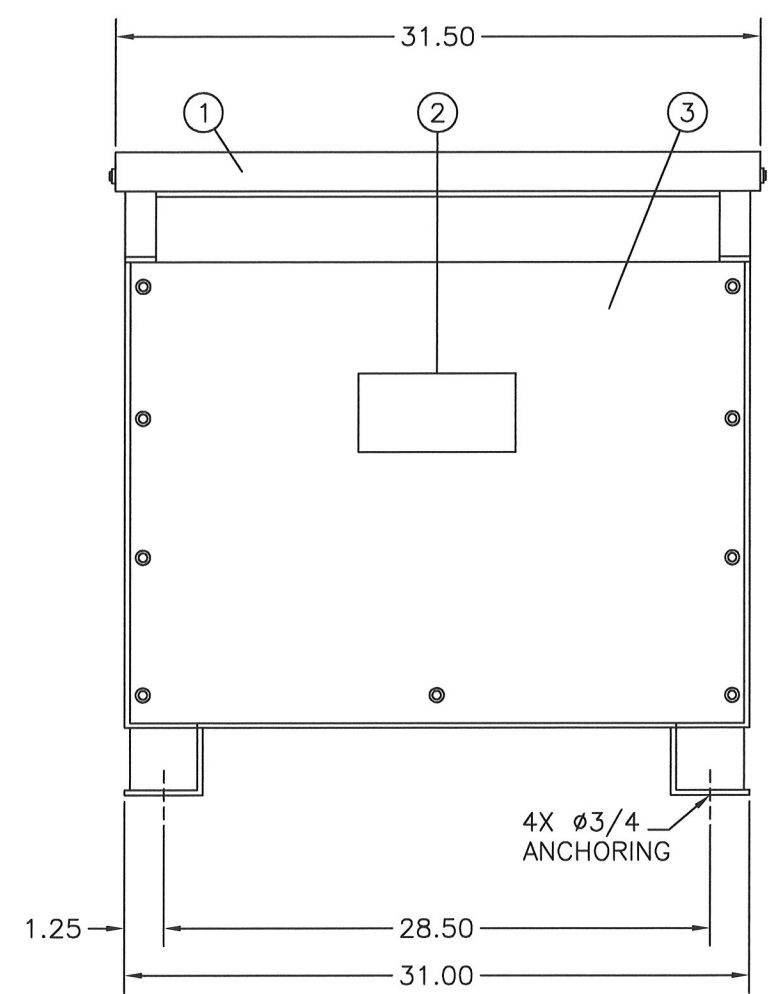
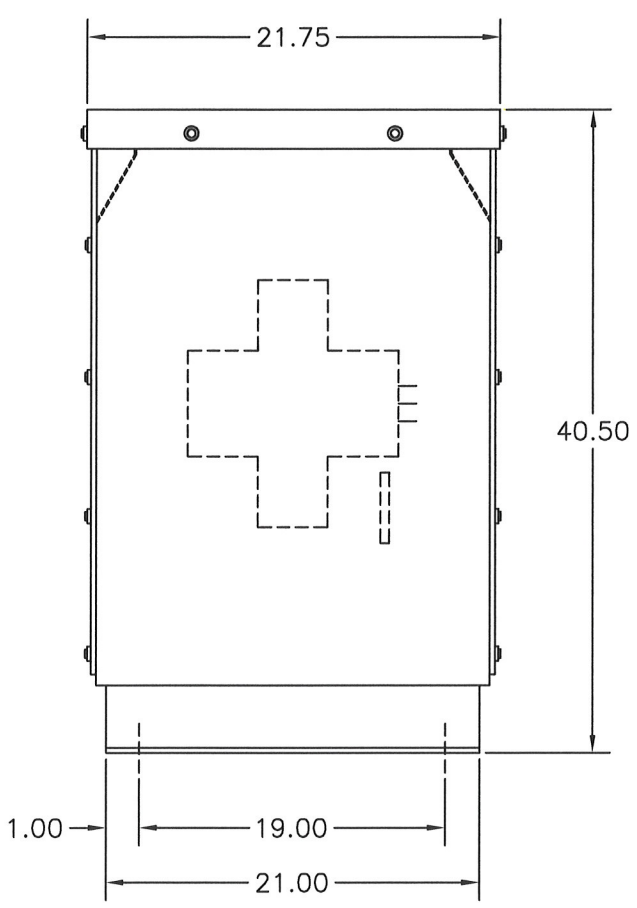
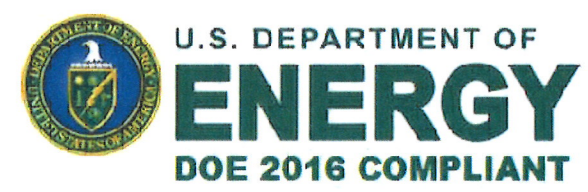


REFERENCE  
ONLY



LEGEND		
ITEM	QTY	DESCRIPTIONS
1	1	TOP COVER - REMOVABLE
2	1	DIAGRAMATIC NAMEPLATE
3	2	FRONT & REAR PANEL - REMOVABLE
4	3	HV TERMINAL
5	4	LV TERMINAL



HT112A3K1-D16

S.O. NO:		<input type="checkbox"/> RECORD		<input type="checkbox"/> APPROVAL	<input type="checkbox"/> QUOTE
CUST/JOB NAME: -					
CUST ORDER NO: -					
SERIAL NO: -					
ID TAG: -					
KVA: 112.5 HIGH VOLTAGE: 480 DELTA LOW VOLTAGE: 240/120 CT HV TAPS: 2A2B @ 2 1/2% HV-KV BIL: 10 LV-KV BIL: 10 PHASE: 3 FREQ-HZ: 60 TEMP RISE-°C: 150 COOLING CLASS: AA INSULATION CLASS: 220°C WINDING COND: COPPER PAINT/COATING: ANSI 61 LIGHT GRAY APPRX WT-LBS/KGS: 840/382					
<input type="checkbox"/> STANDARD		<input checked="" type="checkbox"/> DOE 10CFR		<input type="checkbox"/> K4	<input type="checkbox"/> K13
				<input type="checkbox"/> K20	

- NOTES:**
- 1) TRANSFORMERS ARE MANUFACTURED AND TESTED PER APPLICABLE ANSI, NEMA AND IEEE STDS, LATEST REVISION.
  - 2) UNLESS OTHERWISE SPECIFIED, ALL DIMENSIONS ARE IN INCHES WITH ± 1/4" TOLERANCE.
  - 3) TRANSFORMER IS UL & CSA LISTED AND LABELED.
  - 4) DOE 2016, 10CFR 431 EFFICIENCY - 112.5 KVA TRANSFORMER MEET OR EXCEED EFFICIENCY = 98.74% @ 75°C @ 35% LOAD.
  - 5) TRANSFORMER IS DESIGNED FOR INDOOR (NEMA 1) AND OUTDOOR (NEMA 3R) APPLICATION.
  - 6) TRANSFORMER NOT TO BE INSTALLED IN PUBLIC ACCESS AREAS OTHERWISE IT MUST BE FENCED OR ISOLATED.

REVISIONS	PAGE 1 OF 1	SCALE: NONE	TITLE: TRANSFORMER OUTLINE DRY TYPE	<input checked="" type="checkbox"/> OUTDOOR
	BY	DATE	GENERAL PURPOSE, CASE C (CASE 4)	<input checked="" type="checkbox"/> INDOOR
	CADD: HM	02/20/17		
	CHKD: AH	02/20/17		
	APPD: <i>ah</i>	2/22/17	<b>MGM TRANSFORMER CO.</b> <small>CITY OF COMMERCE, CALIFORNIA TEL: (323) 726-0888, FAX: (323) 726-8192</small>	
			CAD NO. <b>MG000112.5N3-16-112DSC</b>	REV.