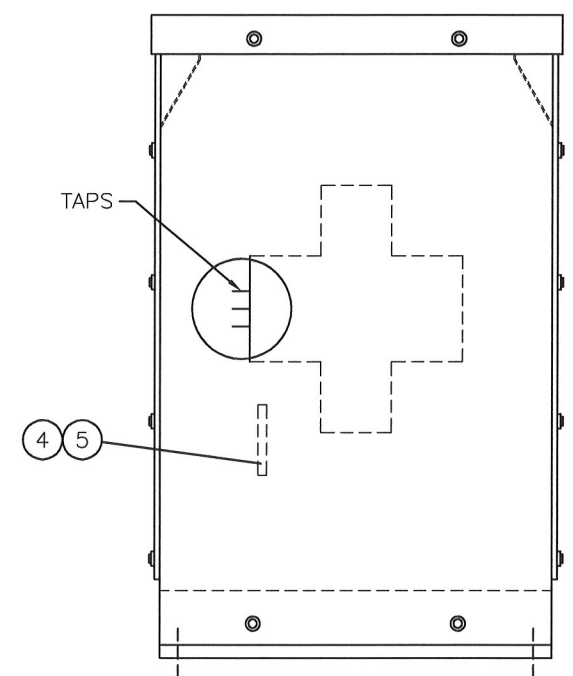
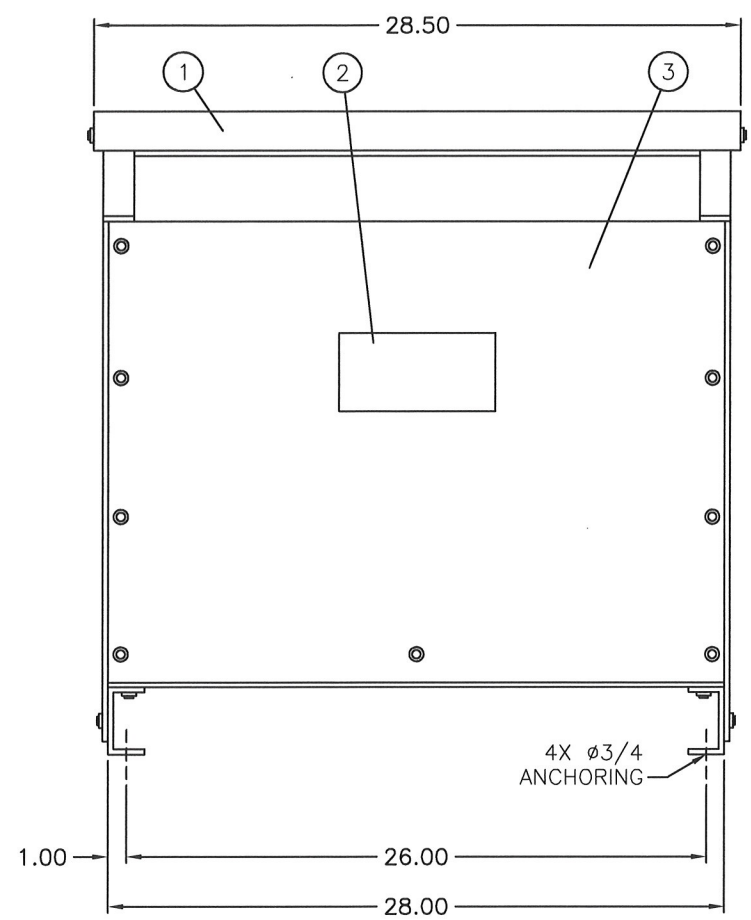
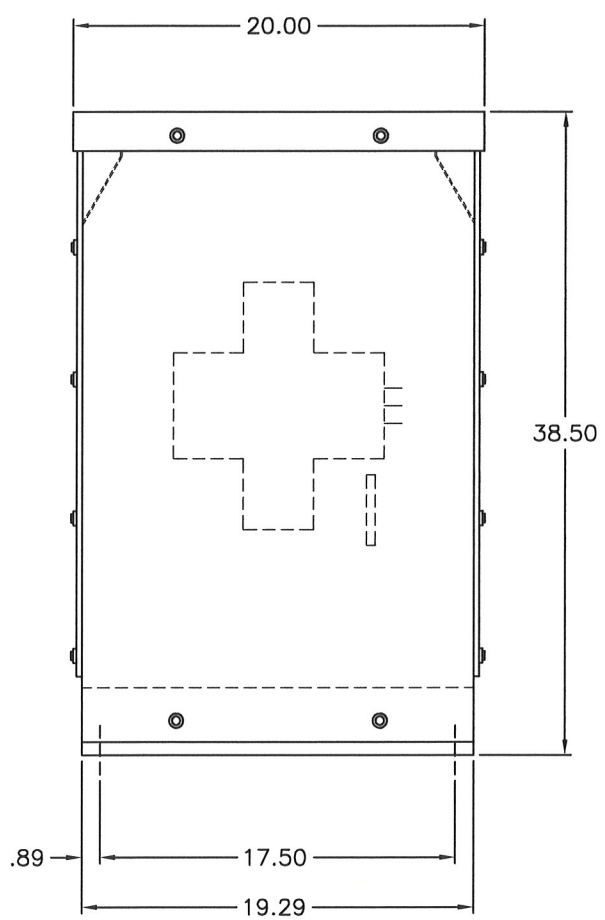
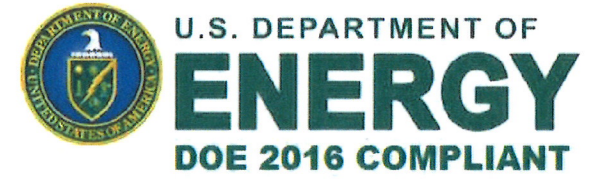


REFERENCE ONLY



| LEGEND | | |
|--------|-----|--------------------------------|
| ITEM | QTY | DESCRIPTIONS |
| 1 | 1 | TOP COVER - REMOVABLE |
| 2 | 1 | DIAGRAMATIC NAMEPLATE |
| 3 | 2 | FRONT & REAR PANEL - REMOVABLE |
| 4 | 3 | HV TERMINAL |
| 5 | 4 | LV TERMINAL |



HT75A3K1-D16

| | |
|---|---|
| S.O. NO: | |
| DWG FOR: | <input checked="" type="checkbox"/> RECORD <input type="checkbox"/> APPROVAL <input type="checkbox"/> QUOTE |
| CUST/JOB NAME: - | |
| CUST ORDER NO: - | |
| SERIAL NO: - | |
| ID TAG: - | |
| KVA: 75 HIGH VOLTAGE: 480 DELTA LOW VOLTAGE: 240/120 CT HV TAPS: 2A4B @ 2 1/2% HV-KV BIL: 10 LV-KV BIL: 10 PHASE: 3 FREQ-HZ: 60 TEMP RISE-°C: 150 COOLING CLASS: AA INSULATION CLASS: 220°C WINDING COND: COPPER PAINT/COATING: ANSI 61 GRAY APPRX WT-LBS/KGS: 645/293 | |
| <input type="checkbox"/> STANDARD <input checked="" type="checkbox"/> DOE 10CFR <input type="checkbox"/> K1 <input type="checkbox"/> K13 <input type="checkbox"/> K20 | |

- NOTES:**
- 1) TRANSFORMERS ARE MANUFACTURED AND TESTED PER APPLICABLE ANSI, NEMA AND IEEE STDS, LATEST REVISION.
 - 2) UNLESS OTHERWISE SPECIFIED, ALL DIMENSIONS ARE IN INCHES WITH ± 1/4" TOLERANCE.
 - 3) TRANSFORMER IS UL & CSA LISTED AND LABELED.
 - 4) DOE 2016, 10CFR 431 EFFICIENCY - 75 KVA TRANSFORMER MEET OR EXCEED EFFICIENCY = 98.6% @ 75°C @ 35% LOAD.
 - 5) TRANSFORMER IS DESIGNED FOR INDOOR (NEMA 1) AND OUTDOOR (NEMA 3R) APPLICATION.
 - 6) TRANSFORMER NOT TO BE INSTALLED IN PUBLIC ACCESS AREAS OTHERWISE IT MUST BE FENCED OR ISOLATED.

| | | | | |
|-----------|-----------------|-------------|---|---|
| | PAGE 1 OF 1 | SCALE: NONE | TITLE: TRANSFORMER OUTLINE DRY TYPE GENERAL PURPOSE, CASE B+ | <input checked="" type="checkbox"/> OUTDOOR <input checked="" type="checkbox"/> INDOOR |
| | BY: | DATE: | | |
| | CADD: HM | 02/20/17 | | |
| | CHKD: AH | 02/20/17 | | |
| REVISIONS | APPD: <i>AH</i> | 2/22/17 | | |



CAD NO. **MG00075N3-16-75DSC** REV.