

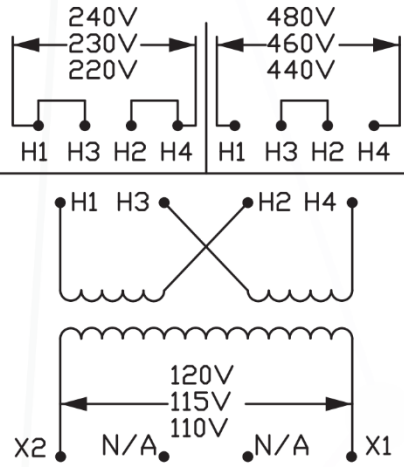


# MGM TRANSFORMER COMPANY

5701 SMITHWAY STREET • CITY OF COMMERCE, CA 90040  
 (323)726-0888 • FAX (323)726-8224

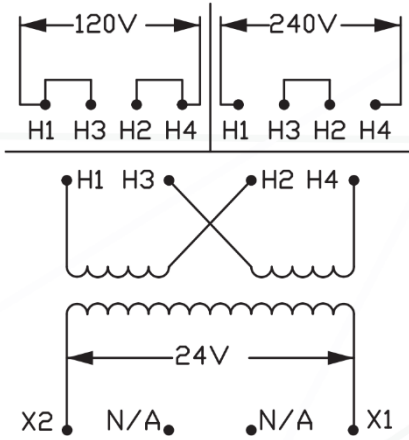
### Wiring Diagram A

**Primary:** 240/230/220 x  
480/460/440  
**Secondary:** 120/115/110



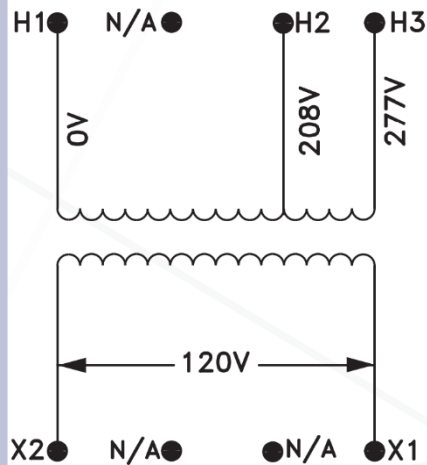
### Wiring Diagram B

**Primary:** 120 x 240  
**Secondary:** 24



### Wiring Diagram C

**Primary:** 208/277  
**Secondary:** 120



### Wiring Diagram D

**Primary:** 240 x 480  
**Secondary:** 24

