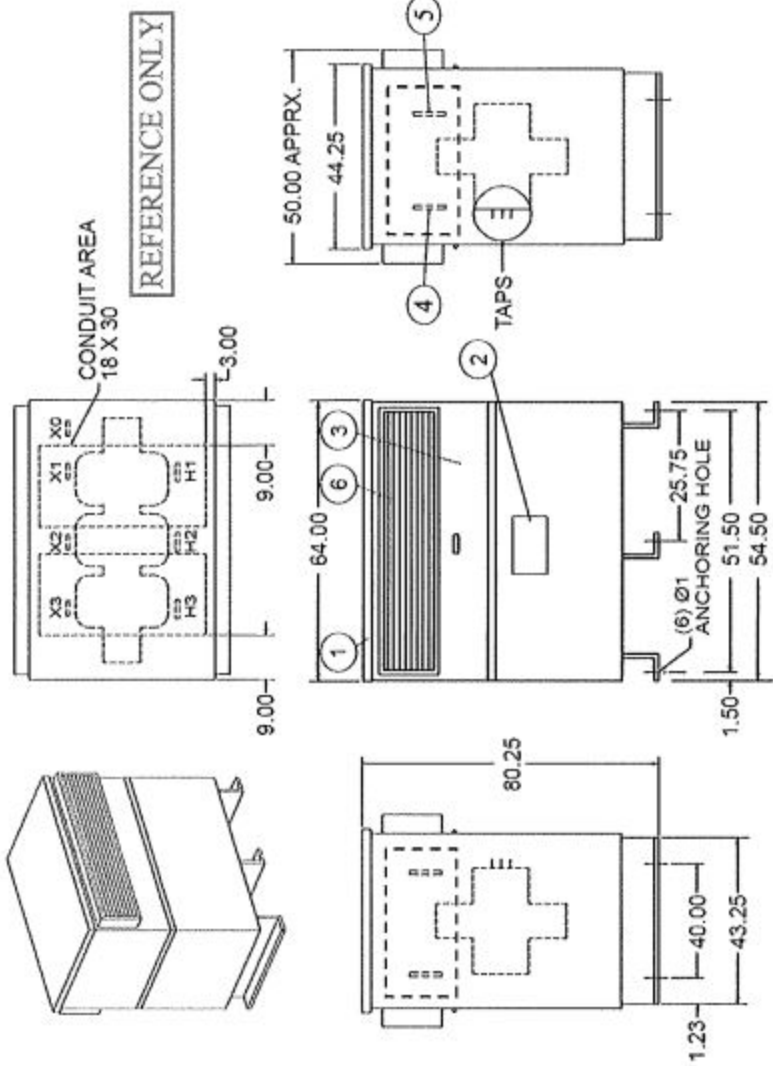


Parts List

ITEM QTY	DESCRIPTION
1	TOP COVER - REMOVABLE
1	DIAGRAMATIC NAMEPLATE
2	FRONT & REAR PANEL - REMOVABLE
4	HV TERMINAL
5	LV TERMINAL
6	LOUVERED VENT



REFERENCE ONLY

NOTES: 1) THIS DRAWING IS NOT FOR CONSTRUCTION PURPOSES. VERIFY WITH FACTORY BEFORE CONSTRUCTION.
 2) TRANSFORMERS ARE MANUFACTURED AND TESTED PER APPLICABLE ANSI, NEMA, AND IEEE STANDARDS.
 3) UNLESS OTHERWISE SPECIFIED ALL DIMENSIONS ARE IN INCHES WITH ± 1/4" TOLERANCE.
 4) TRANSFORMER IS UL & CSA LISTED AND LABELED.

S.O. NO: _____
 DWG FOR: RECORD APPROVAL QUOTE
 CUST/JOB NAME: _____
 CUST ORDER NO: _____
 SERIAL NO: _____
 ID TAG: _____

KVA: _____
 HIGH VOLTAGE: _____
 LOW VOLTAGE: _____
 HV TAPS: _____
 HV-KV BIL: _____
 LV-KV BIL: _____
 PHASE: SINGLE THREE
 FREQ-HZ: 60 50
 TEMP RISE - °C: 150 115 80
 COOLING CLASS: _____
 WINDING COND: ALUMINUM COPPER
 PAINT/COATING: ANSI 61 LIGHT GRAY
 APPROX WT - LBS: 3850

STANDARD NEMA TP-1 K4 K13 K20

3PH, 600V GENERAL PURPOSE DRY TYPE * INDOOR OUTDOOR
 TRANSFORMER OUTLINE, "F" Case

MGM TRANSFORMER CO.
 CITY OF COMMERCE, CALIFORNIA
 TEL: (924) 714-2888 FAX: (924) 726-4750

SCALE: N/A	PAGE 1 OF 1	CAD NO. _____	REV: _____
CADD: _____			
CHKD: _____			
APPO: _____			

REVISIONS