

Parts List

ITEM	QTY	DESCRIPTION
1	1	TOP COVER - REMOVABLE
2	1	DIAGRAMATIC NAMEPLATE
3	2	FRONT & REAR PANEL - REMOVABLE
4	3	HV TERMINAL
5	4	LV TERMINAL



U.S. DEPARTMENT OF  
**ENERGY**  
DOE 2016 COMPLIANT

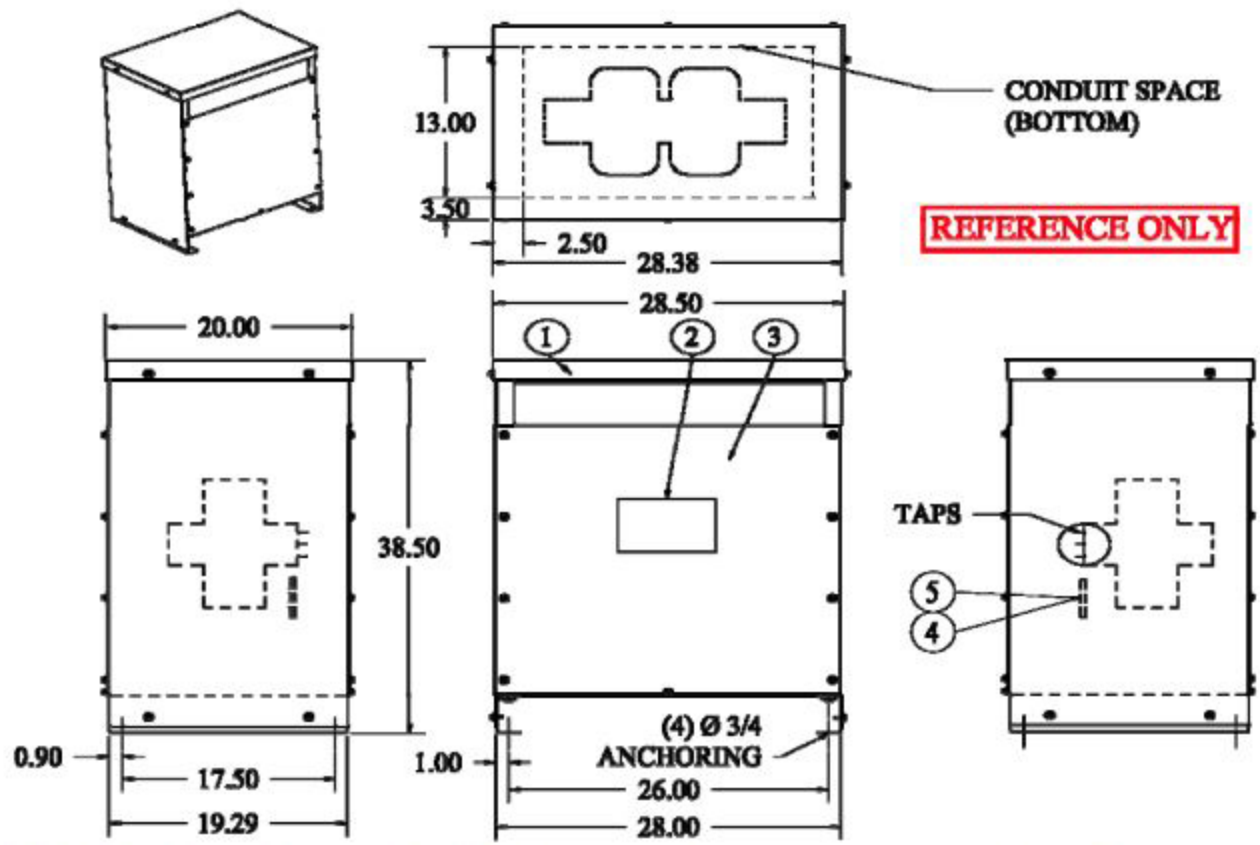
HS75C3B2-D16

S.O. NO:  
DWG FOR:  RECORD  APPROVAL  QUOTE

CUST/JOB NAME:  
CUST ORDER NO:  
SERIAL NO:  
ID TAG:

KVA: 75  
HIGH VOLTAGE: 240X480  
LOW VOLTAGE: 120/240  
HV TAPS: 2A4B 2-1/2%  
HV-KV BIL: 10  
LV-KV BIL: 10  
PHASE:  SINGLE  THREE  
FREQ-HZ:  60  50  
TEMP RISE - °C:  180  115  80  
COOLING CLASS: AA  
WINDING COND:  ALUMINUM  COPPER  
PAINT/COATING: ANSI 61 LIGHT GRAY  
APPRX WT - LBS: 530

STANDARD  DOE 2016  K4  K13  K20



- NOTES: 1) THIS DRAWING IS NOT FOR CONSTRUCTION PURPOSES. VERIFY WITH FACTORY BEFORE CONSTRUCTION.  
2) TRANSFORMERS ARE MANUFACTURED AND TESTED PER APPLICABLE ANSI, NEMA, AND IEEE STANDARDS.  
3) UNLESS OTHERWISE SPECIFIED ALL DIMENSIONS ARE IN INCHES WITH ± 1/8" TOLERANCE.  
4) TRANSFORMER IS UL & CSA LISTED AND LABELED.  
5) UNIT IS DESIGNED FOR INDOOR (NEMA1) AND OUTDOOR (NEMA3R) APPLICATION.

	SCALE : N/A	PAGE 1 OF 1
	CADD:	
	CHKD:	
	APPD:	
<b>REVISIONS</b>		

1PH, 600V GENERAL PURPOSE DRY TYPE  
TRANSFORMER OUTLINE, CASE B+ (CASE 3)



MGM TRANSFORMER CO.  
CITY OF COMMERCE, CALIFORNIA  
TEL: (323) 726-0888, FAX: (323) 726-8192

CAD NO. REV: