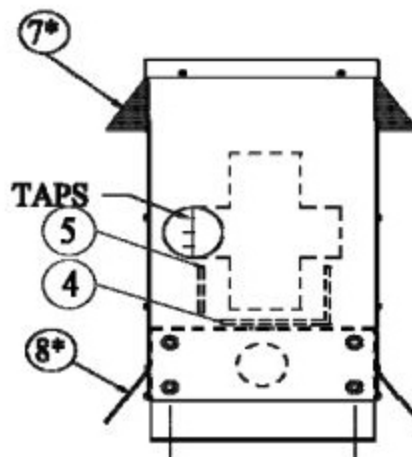


CONDUIT SPACE
(BOTTOM)

REFERENCE ONLY



Parts List		
ITEM	QTY	DESCRIPTION
1	1	TOP COVER - REMOVABLE
2	1	DIAGRAMATIC NAMEPLATE
3	2	FRONT & REAR PANEL - REMOVABLE
4	3	HV TERMINAL
5	4	LV TERMINAL
6	2	PROVISIONS FOR Ø4" KNOCKOUT
7*	2	WATERSHIELD
8*	2	RAIN DEFLECTOR



U.S. DEPARTMENT OF
ENERGY
DOE 2016 COMPLIANT

HT300A3K2-D16

S.O. NO:
DWG FOR: RECORD APPROVAL QUOTE

CUST/JOB NAME:

CUST ORDER NO:

SERIAL NO:

ID TAG:

KVA: 300

HIGH VOLTAGE: 480D

LOW VOLTAGE: 240D/120CT

HV TAPS: 2A4B 2-1/2%

HV-KV BIL: 10

LV-KV BIL: 10

PHASE: SINGLE THREE

FREQ-HZ: 60 50

TEMP RISE - °C: 150 115 80

COOLING CLASS: AA

WINDING COND: ALUMINUM COPPER

PAINT/COATING: ANSI 61 LIGHT GRAY

APPRX WT - LBS: 1855

STANDARD DOE 2016 K4 K13 K20

- NOTES: 1) THIS DRAWING IS NOT FOR CONSTRUCTION PURPOSES. VERIFY WITH FACTORY BEFORE CONSTRUCTION.
2) TRANSFORMERS ARE MANUFACTURED AND TESTED PER APPLICABLE ANSI, NEMA, AND IEEE STANDARDS.
3) UNLESS OTHERWISE SPECIFIED ALL DIMENSIONS ARE IN INCHES WITH ± 1/4" TOLERANCE.
4) TRANSFORMER IS UL & CSA LISTED AND LABELED.
5) * APPLIES TO OUTDOOR UNITS ONLY

SCALE : N/A

PAGE 1 OF 1

3PH, 600V GENERAL PURPOSE DRY TYPE * INDOOR OUTDOOR

CADD:

TRANSFORMER OUTLINE, CASE D (CASE 6)

CHKD:



MGM TRANSFORMER CO.

CAD NO.

REV:

APPD:

CITY OF COMMERCE, CALIFORNIA
TEL: (323) 726-0888, FAX: (323) 726-8192

REVISIONS