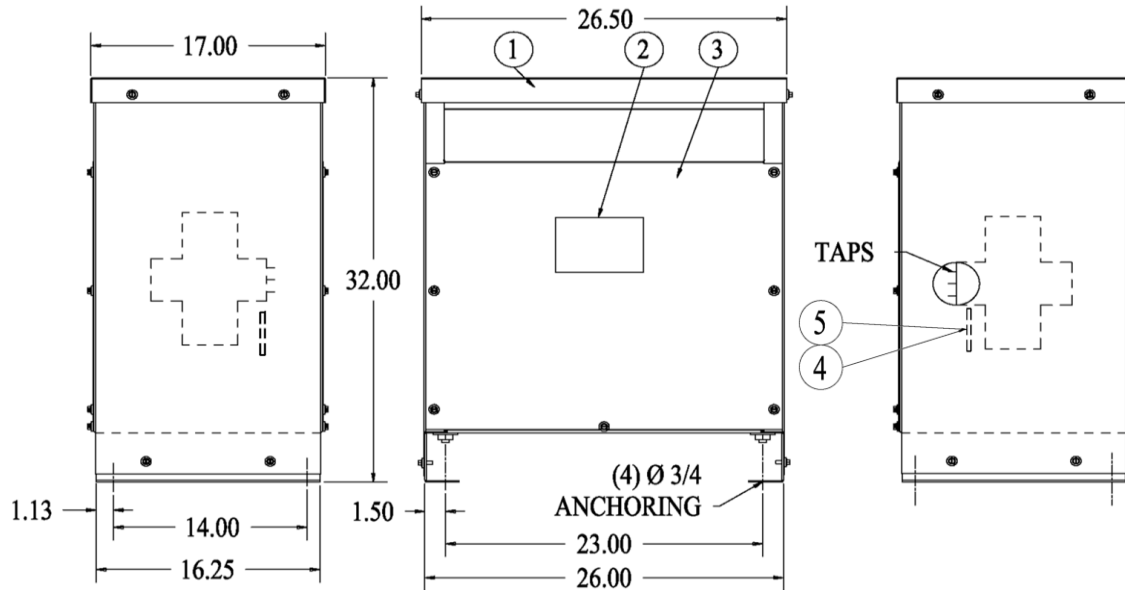


CONDUIT SPACE  
(BOTTOM)

REFERENCE ONLY



TAPS

5  
4

(4) Ø 3/4  
ANCHORING

Parts List		
ITEM	QTY	DESCRIPTION
1	1	TOP COVER - REMOVABLE
2	1	DIAGRAMATIC NAMEPLATE
3	2	FRONT & REAR PANEL - REMOVABLE
4	3	HV TERMINAL
5	4	LV TERMINAL



HT30A3D2-16

S.O. NO:	
DWG FOR:	<input type="checkbox"/> RECORD <input type="checkbox"/> APPROVAL <input checked="" type="checkbox"/> QUOTE
CUST/JOB NAME:	
CUST ORDER NO:	
SERIAL NO:	
ID TAG:	
KVA:	30
HIGH VOLTAGE:	480
LOW VOLTAGE:	480Y/277
HV TAPS:	2A4B 2 1/2 %
HV-KV BIL:	10
LV-KV BIL:	10
PHASE:	<input type="checkbox"/> SINGLE <input checked="" type="checkbox"/> THREE
FREQ-HZ:	<input checked="" type="checkbox"/> 60 <input type="checkbox"/> 50
TEMP RISE - °C:	<input checked="" type="checkbox"/> 150 <input type="checkbox"/> 115 <input type="checkbox"/> 80
COOLING CLASS:	AA
WINDING COND:	<input checked="" type="checkbox"/> ALUMINUM <input type="checkbox"/> COPPER
PAIN/COATING:	ANSI 61 LIGHT GRAY
APPRX WT - LBS:	360
<input type="checkbox"/> STANDARD <input checked="" type="checkbox"/> DOE 2016 <input type="checkbox"/> K4 <input type="checkbox"/> K13 <input type="checkbox"/> K20	

- NOTES: 1) THIS DRAWING IS NOT FOR CONSTRUCTION PURPOSES. VERIFY WITH FACTORY BEFORE CONSTRUCTION.  
 2) TRANSFORMERS ARE MANUFACTURED AND TESTED PER APPLICABLE ANSI, NEMA, AND IEEE STANDARDS.  
 3) UNLESS OTHERWISE SPECIFIED ALL DIMENSIONS ARE IN INCHES WITH ± 1/4" TOLERANCE.  
 4) TRANSFORMER IS UL & CSA LISTED AND LABELED.  
 5) UNIT IS DESIGNED FOR INDOOR (NEMA1) AND OUTDOOR (NEMA3R) APPLICATION.

	SCALE : N/A	PAGE 1 OF 1
	CADD:	
	CHKD:	
	APPD:	
<b>REVISIONS</b>		

3PH, 600V GENERAL PURPOSE DRY TYPE  
TRANSFORMER OUTLINE, CASE B (CASE 2)

	<b>MGM TRANSFORMER CO.</b> CITY OF COMMERCE, CALIFORNIA TEL: (323) 726-0888, FAX: (323) 726-8192	<b>CAD NO.</b>	<b>REV:</b>
--	--	----------------	-------------