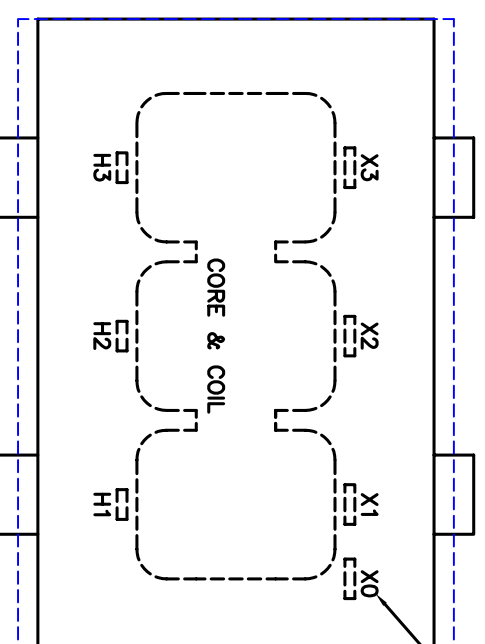


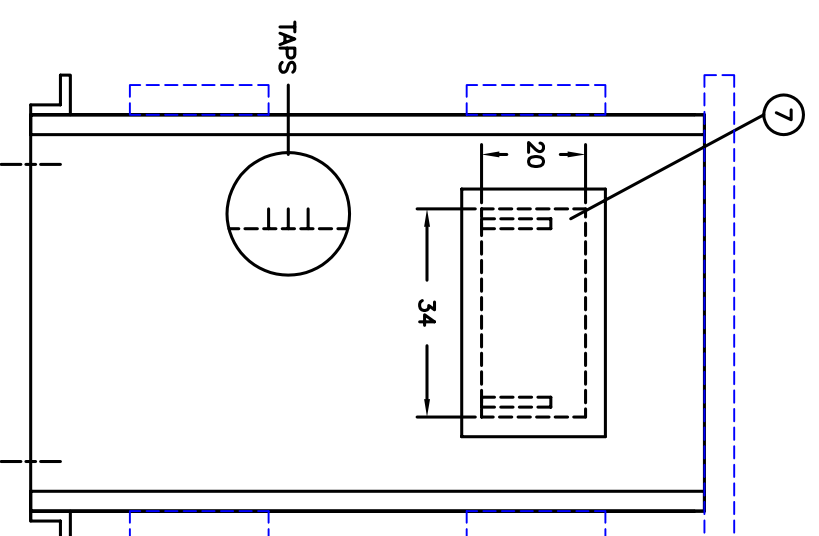
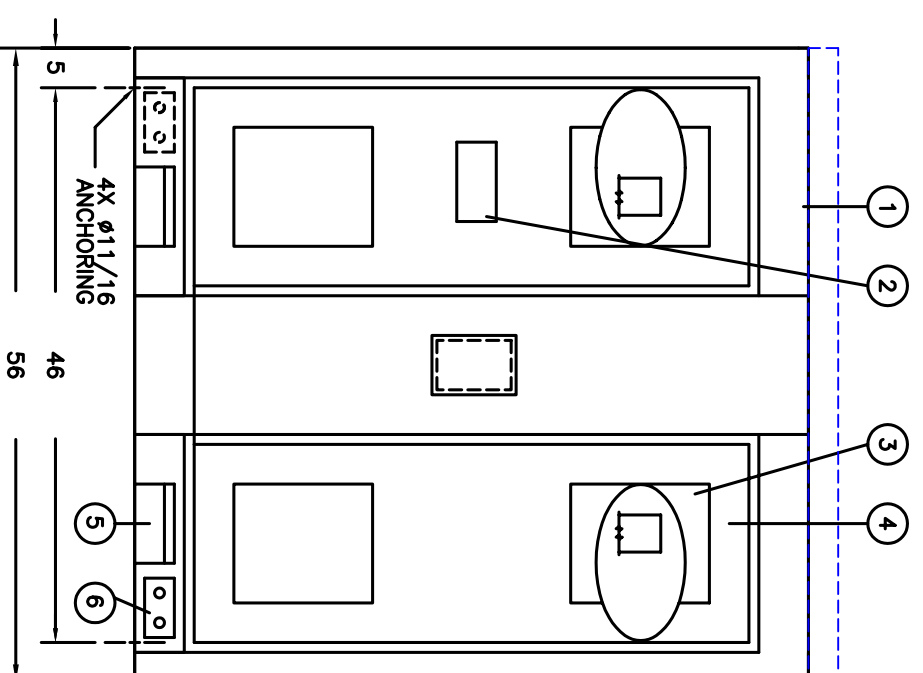
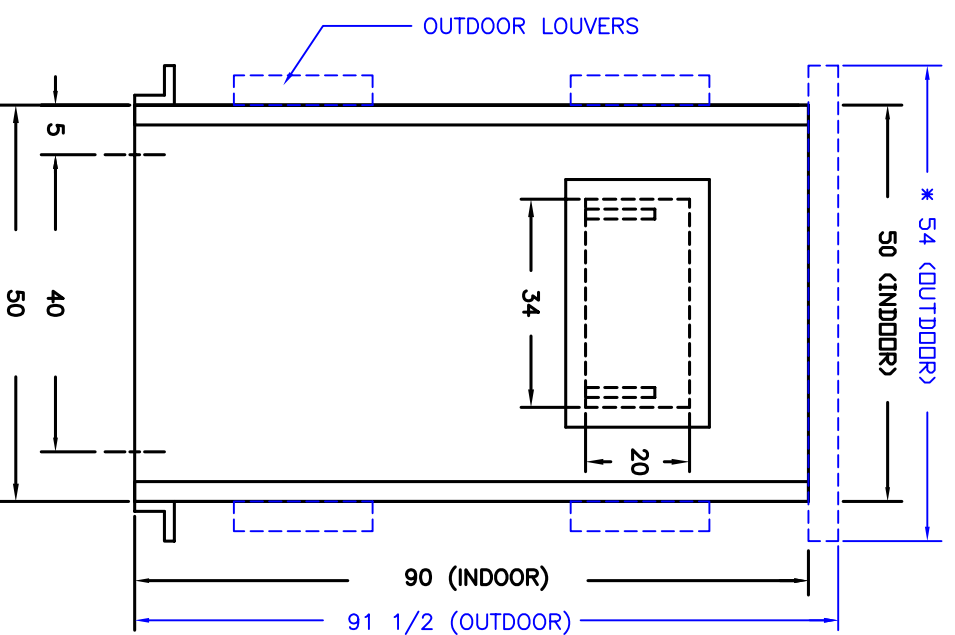
°C RISE	KVA	KV CLASS	KV BIL.
150°C	300	15	60, 95



SEE NOTE #8

FOR REFERENCE ONLY

LEGEND	
ITEM QTY	DESCRIPTIONS
1	2 REMOVABLE TOP COVER - FLUSH FOR INDOOR,
	* CAPPED FOR OUTDOOR
2	1 DIAGRAMATIC NAMEPLATE
3	8 VENT - SCREEN FOR INDOOR/ LOUVERS FOR OUTDOOR
4	4 BOLTED PANEL
5	4 JACK PAD
6	2 GROUND PAD - NEMA STANDARD
7	2 CABLE/BUS ENTRY CUTOUT WITH COVER



- NOTES:**
- 1) THIS DRAWING IS NOT FOR CONSTRUCTION PURPOSES.
 - 2) K FACTOR MIGHT CHANGE CASE DIMENSIONS.
 - 3) TRANSFORMERS ARE MANUFACTURED AND TESTED PER APPLICABLE ANSI, NEMA AND IEEE STDS, LATEST REVISION.
 - 4) UNLESS OTHERWISE SPECIFIED, ALL DIMENSIONS ARE IN INCHES WITH ±1/4" TOLERANCE.
 - 5) TRANSFORMER IS U.L. LISTED.
 - 6) TRANSFORMER NOT TO BE INSTALLED IN PUBLIC ACCESSIBLE LOCATION, OTHERWISE IT MUST BE FENCED OR ISOLATED.
 - 7) WEIGHTS, DIMENSIONS & CONSTRUCTION MAY CHANGE WITHOUT PRIOR NOTICE.
 - 8) FOR LV WYE CONNECTION ONLY.

PAGE 1 OF 1	SCALE: NONE
BY	DATE
CADD: LGL	8/20/99
CHKD: VHA	9/18/03
APPD:	

TITLE:	DRY TRANSFORMER OUTLINE	DRW NO.	905650U	REV.
	DRY TYPE UNIT SUBSTATION			

S.O. NO:	
DWG FOR: <input type="checkbox"/> RECORD <input type="checkbox"/> APPROVAL <input type="checkbox"/> QUOTE	
CUST/JOB NAME:	
CUST ORDER NO:	
SERIAL NO:	
ID TAG:	
KVA:	
HIGH VOLTAGE:	
LOW VOLTAGE:	
HV TAPS:	2A2B 2 1/2%
HV-KV BIL:	
LV-KV BIL:	
PHASE:	3
FREQ-HZ:	60
TEMP RISE-°C:	
INSUL. CLASS:	220°C
COOLING CLASS:	AA
WINDING COND:	
PAINT/COATING:	ANSI 61 GRAY
APPRX WT-LBS:	
HV COORD:	<input type="checkbox"/> INDOOR
LV COORD:	<input type="checkbox"/> OUTDOOR

MGM TRANSFORMER CO.
 CITY OF COMMERCE, CALIFORNIA
 TEL: (951) 728-0888, FAX: (951) 728-8182