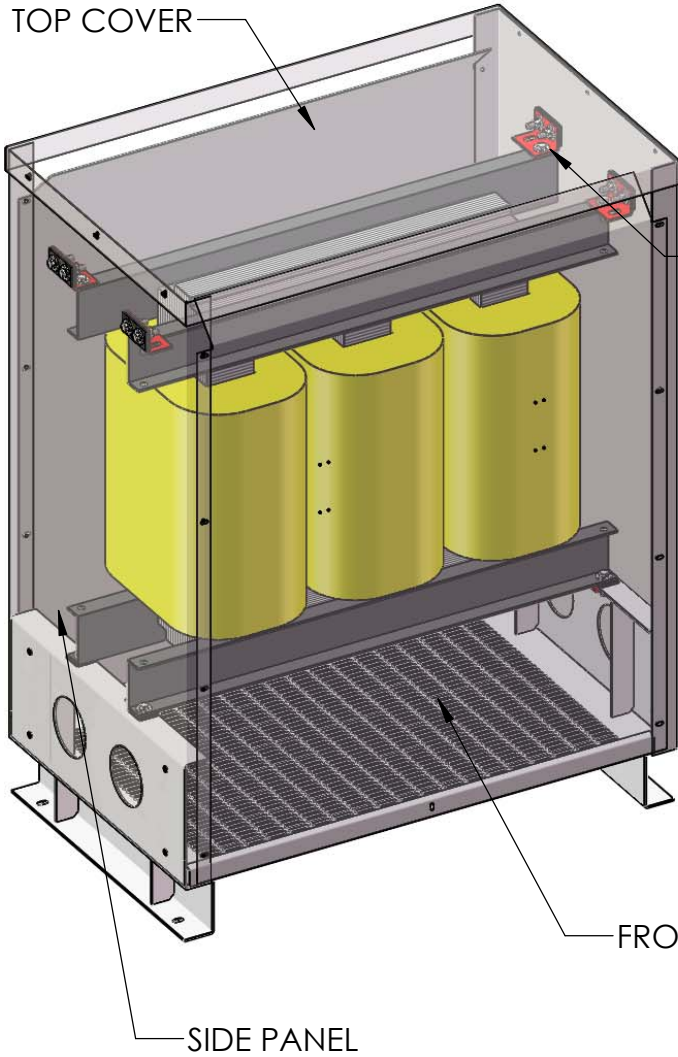
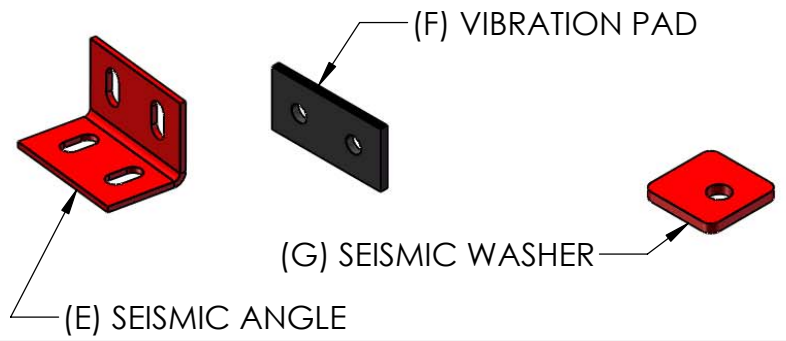


INCLUDED HARDWARE		
ITEM	DESCRIPTION	QTY.
A	1/2"-13 X 2" BOLT	16
B	1/2" FLAT WASHER	28
C	1/2" LOCK WASHER	16
D	1/2" NUT	16
E	SEISMIC ANGLE	4
F	VIBRATION PAD	4
G	SEISMIC WASHER	4



1) DE-ENERGIZE TRANSFORMER.

2) REMOVE TOP COVER AND FRONT & REAR PANELS

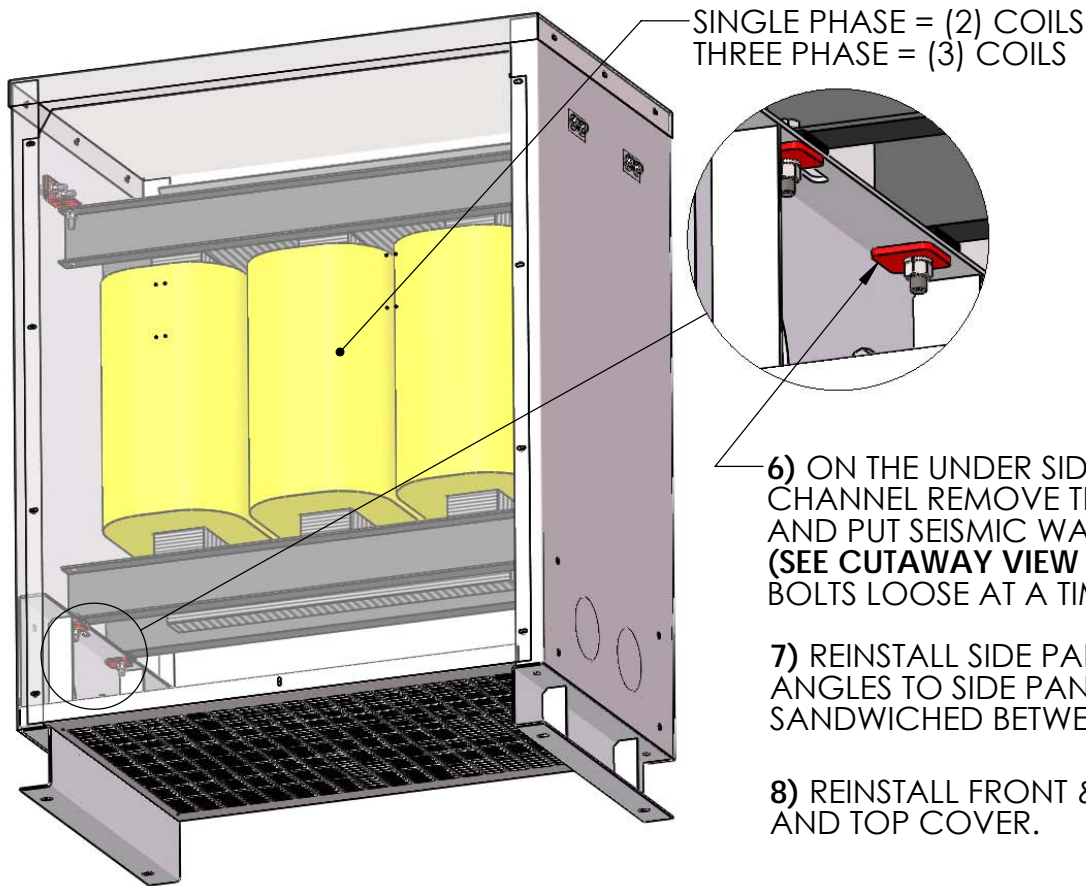
3) BOLT SEISMIC ANGLES TO TOP CLAMP AS SHOWN. (SEE CUTAWAY VIEW 1 ON NEXT PAGE)

4) MARK HOLE LOCATIONS ON SIDE PANELS. (QTY. 4 PER SIDE) SEISMIC ANGLE MAY NOT BE CENTERED ON PANEL DUE TO CORE & COIL OFFSET.

5) REMOVE SIDE PANELS OR COVER COILS TO SHIELD FROM METAL SHAVINGS AND DRILL HOLES. CAUTION: METAL SHAVINGS CAN CAUSE ELECTRICAL FAILURE AND SERIOUS INJURY SHOULD THEY FALL

****DRAWINGS ARE FOR ILLUSTRATION PURPOSE ONLY. TRANSFORMER MODELS MAY VARY.****

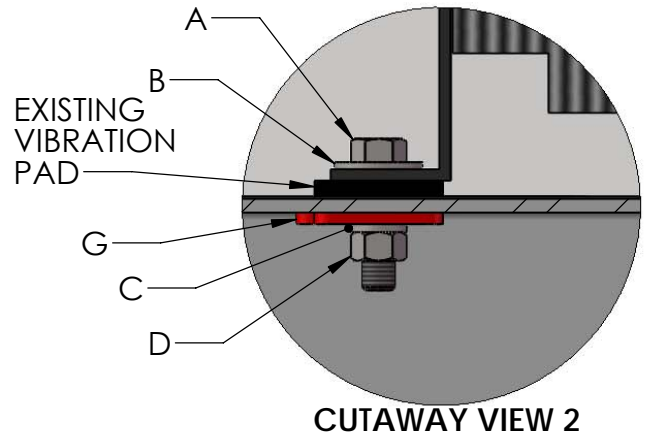
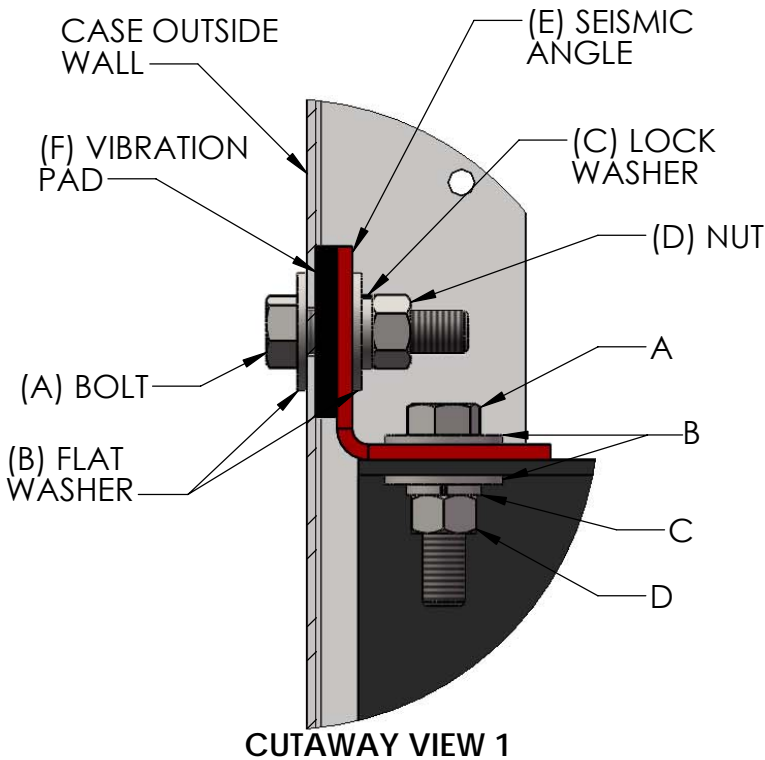
REVISIONS				NAME	DATE	DESCRIPTION: PART NAME:	REV.
			DRAWN	BSB	01/10/11	OSHPD (SEISMIC) RETROFIT GP CASE (D & E)	B
			CHK'D				
B	FINALIZED AND APPROVED BY ALL.	BSB, 01/11/12	APPV'D			MGM TRANSFORMER 5701 SMITHWAY ST. CITY OF COMMERCE CA. 90040 (323)726-0888	DRAWING NAME: ESP-622
A	FORMAT WAS 11 X 17" & REVISED HARDWARE.	BSB, 12/21/11			SHEET 1 OF 2		



6) ON THE UNDER SIDE OF THE MOUNTING CHANNEL REMOVE THE ROUND WASHERS AND PUT SEISMIC WASHERS IN THEIR PLACE. (SEE CUTAWAY VIEW 2) NO MORE THAN 2 BOLTS LOOSE AT A TIME. (QTY. 4)

7) REINSTALL SIDE PANELS AND BOLT SEISMIC ANGLES TO SIDE PANELS WITH VIBRATION PAD SANDWICHED BETWEEN. (SEE CUTAWAY VIEW 1)

8) REINSTALL FRONT & REAR PANELS AND TOP COVER.



****DRAWINGS ARE FOR ILLUSTRATION PURPOSE ONLY. TRANSFORMER MODELS MAY VARY.****

REVISIONS		NAME	DATE	DESCRIPTION: PART NAME:	REV.
		DRAWN	BSB	01/10/11	OSHPD (SEISMIC) RETROFIT GP CASE (D & E) B
		CHK'D			
		APP'VD			
			SHEET 2 OF 2	MGM TRANSFORMER 5701 SMITHWAY ST. CITY OF COMMERCE CA. 90040 (323)726-0888	DRAWING NAME: ESP-622