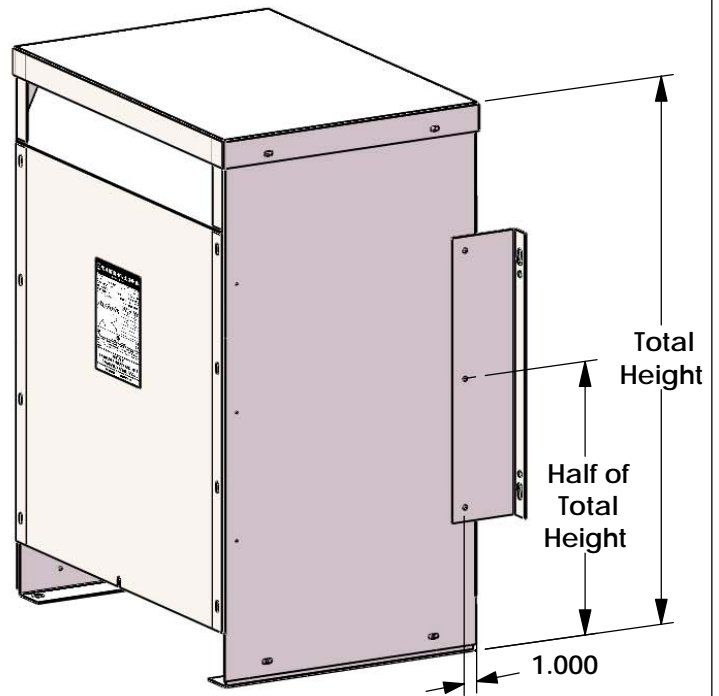


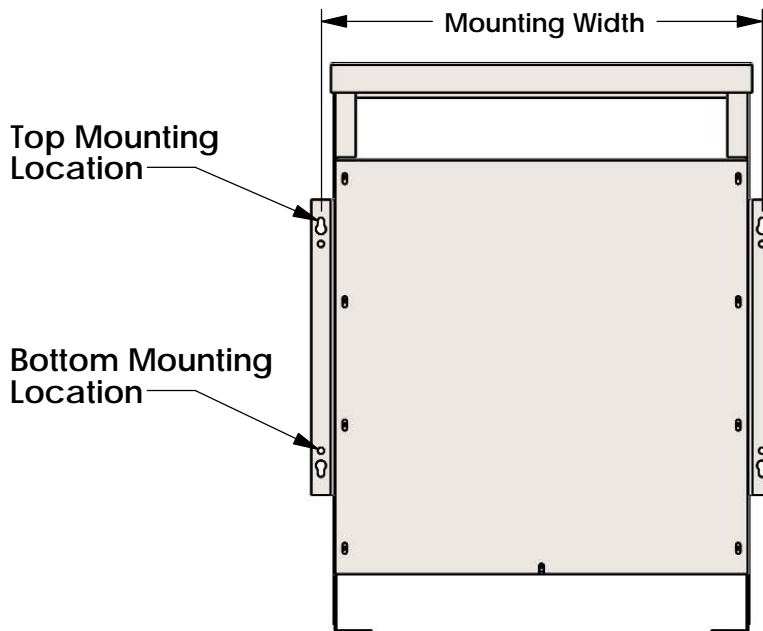
KIT CONTENTS:

1. (Qty 6) 5/16 X 1" Self-drilling/tapping screws
2. (Qty 2) Wall mount brackets



To attach wall mount brackets, put one of the included 5/16 x 1" self-drilling/tapping screws through the center hole of the wall mount bracket and through the case. It should be 1" from the rear of the case to the hole and at the centerline of the cases vertical height. Then add the other 2 adjacent screws. Repeat for other side.

*If the side panel has pre-marked locations simply line up the bracket with these dimples.



To mount the unit on the wall, first install two bolts (not included) on the desired wall at the correct mounting width apart and at your desired height (Minimum bolt size is 5/16" and of a suitable length and type for the intended mounting surface). Hang the transformer like a picture from these bolts at the top mounting locations. Next install two bolts with washers at the bottom mounting locations. Then (ONE AT A TIME) remove the top bolts to add a washer and re-install them.

REVISIONS		NAME	DATE	GP WALL MOUNT INSTALLATION CASES (A, B, B+)	REV.
		DRAWN	BSB		10/31/11
		CHK'D			
		APP'VD			
A	FINALIZED AND APPROVED BY ALL.	BSB	01/11/12	SHEET 1 OF 1	ESP-627

MGM TRANSFORMER
 5701 SMITHWAY ST.
 CITY OF COMMERCE
 CA. 90040 (323)726-0888