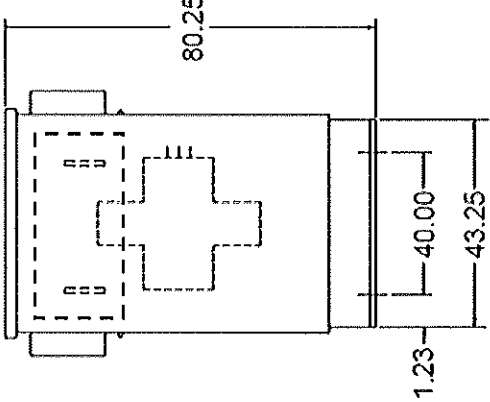
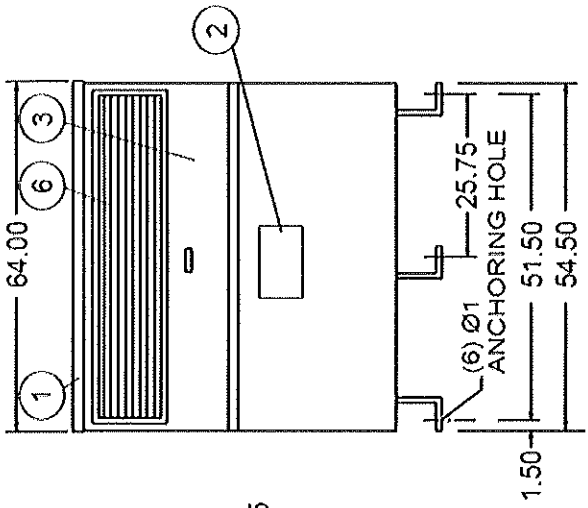
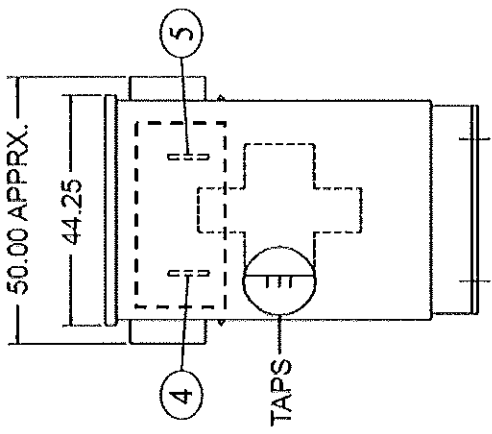
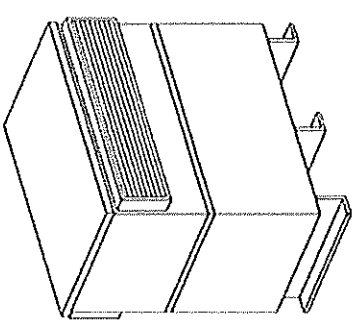
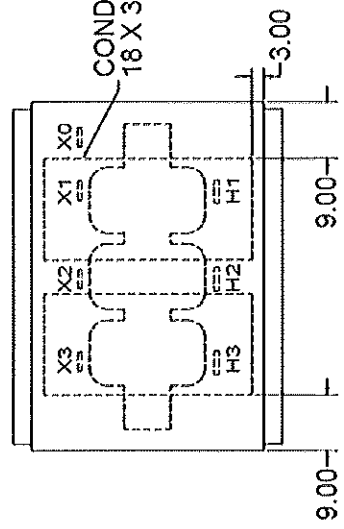
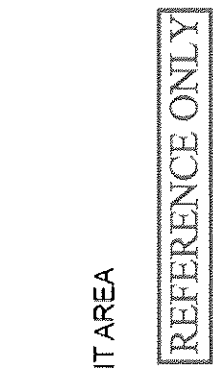


Parts List

ITEM	QTY	DESCRIPTION
1	1	TOP COVER - REMOVABLE
2	1	DIAGRAMATIC NAMEPLATE
3	2	FRONT & REAR PANEL - REMOVABLE
4	3	HV TERMINAL
5	4	LV TERMINAL
6	2	LOUVERED VENT



NOTES: 1) THIS DRAWING IS NOT FOR CONSTRUCTION PURPOSES. VERIFY WITH FACTORY BEFORE CONSTRUCTION.  
 2) TRANSFORMERS ARE MANUFACTURED AND TESTED PER APPLICABLE ANSI, NEMA, AND IEEE STANDARDS.  
 3) UNLESS OTHERWISE SPECIFIED ALL DIMENSIONS ARE IN INCHES WITH ± 1/32" TOLERANCE.  
 4) TRANSFORMER IS UL & CSA LISTED AND LABELED.

S.O. NO: \_\_\_\_\_  
 DWG FOR:  RECORD  APPROVAL  QUOTE

CUST/JOB NAME: \_\_\_\_\_  
 CUST ORDER NO: \_\_\_\_\_  
 SERIAL NO: \_\_\_\_\_  
 ID TAG: \_\_\_\_\_

KVA: \_\_\_\_\_  
 HIGH VOLTAGE: \_\_\_\_\_  
 LOW VOLTAGE: \_\_\_\_\_  
 HV TAPS: \_\_\_\_\_  
 HV-KV/BIL: \_\_\_\_\_  
 LV-KV/BIL: \_\_\_\_\_  
 PHASE:  SINGLE  THREE  
 FREQ-HZ:  60  50  115  80  
 TEMP RISE - °C:  150  115  80

COOLING CLASS: \_\_\_\_\_  
 WINDING COND:  ALUMINUM  COPPER  
 PAINT/COATING: ANSI 61 LIGHT GRAY  
 APPRX WT - LBS: 3850

STANDARD  NEMA TP-1  K4  K13  K20

SCALE: N/A	PAGE 1 OF 1	3PH, 600V GENERAL PURPOSE DRY TYPE * <input type="checkbox"/> INDOOR <input checked="" type="checkbox"/> OUTDOOR
CADD:		TRANSFORMER OUTLINE, "F" Case
CHKD:		MGM TRANSFORMER CO.
APPD:		CITY OF COMMERCE, CALIFORNIA TEL: (323) 726-0888, FAX: (323) 726-8192
REVISIONS		CAD NO. _____
		REV: _____